

## ACCESSORIES

### Car Adapter

Enables you to re-charge your battery with your vehicle's electrical system.



Part No. 900507

### Battery Cell



Part No. 404717

### Battery Charger Kit

(Replacement Charger Base Only Part No. 035460)  
(Replacement Transformer Only Part EU No. 900505)  
(Replacement Transformer Only Part UK No. 900506)



Part No. 900200

### No-Mar Tip - 3 Pk.

Contains 3 of #900702 tips



Part No. 219236

### Special Panelling No-Mar Tip

Position the nailer for a 45 degree shot



Part No. 012027

### 9/64" Hex Key

For cleaning tool.



Part No. 900736

### Orange Safety Glasses



Part No. 011117

### Paslode Intensive Tool Cleaner 300 ml



Part No. 115251

### Paslode Impulse Lubricating Oil



Part No. 401482

### Carrying Case



Part No. 013301

### Cleaning Kit

Contains all the necessary to clean any Impulse tool



Part No. 013060



An Illinois Tool Works Company  
Route de Lyon - BP 104  
F - 26501 Bourg Les Valence - Cedex France



Part No. 013310 (EU), 013311 (UK)

## 16 GAUGE ANGLED FINISH NAILER



## IM65A F16

### IMPORTANT! DO NOT DESTROY

Always refer to operating and safety instructions (#013395 & #013207) for detailed information on this tool. It is the customer's responsibility to have all operators and service personnel read and understand this information.

### TOOL SCHEMATIC AND PARTS

# PARTS LEGEND

# IM65A F16

Part No. 013310 (EU), 013311 (UK)

1	013715	1	Grill black	56	900620	1	Front Channel Extrusion
*2	900648	1	Filter	58	013713	1	Nameplate
3	901064	4	Shoulder Screw 8-32 x 1-3/8"	59	900598	2	Sems Screw 10-32 x 5/16"
4	900596	1	Screw, Sems 8-32 x 7/16"	61	404385	1	Light Pipe
5	902011	1	Cap black	62	013714	1	P Handle Label
6	901119	1	Retaining Ring	63	013671	1	Warning Label Top
7	900716	1	Cover/Tension Reliever	64	013672	1	Warning Label Bottom
→ 8	901382	1	Fan Motor Assembly	65	404922	2	Battery Contact Pad
9	900468	1	Washer, Motor Shaft	66	900726	1	Slide Switch Assembly
10	900647	1	Retaining Ring	67	401450	2	Battery Pad
11	900624	1	Motor Mount Assembly	68	900792	2	Shoulder screw 8-32 x 15/82"
12	900646	1	Wave Washer	69	900770	1	Brad Channel
*13	401356	1	Motor Sleeve	70	900773	1	Magazine Extrusion
14	900714	1	Spark Plug Assembly	▲ 71	900660	2	Screw 10-32 x 3/8"
15	900674	1	Wire Clip	72	900722	1	Follower Pin
16	900697	1	Stem Adapter	73	900679	1	Follower
■ 17	405140	4	Screw 8-32 x 3/8" (red)	74	900691	1	Compression Spring
18	900785	1	Insulator	75	900627	1	Negator Spring
19	900739	1	Cylinder Head Circuit Board Ass.	76	900720	1	Follower Core
20	900605	1	Cylinder Head	77	013709	2	Housing Label
21	900612	4	Seal Ring	78	900724	1	Screw Plastite 8-16 x 5/8"
22	900709	1	Fan Assembly	79	900617	1	Follower Body
23	900700	1	Air Dam	80	900453	4	Screw Plastite
24	900729	1	Combustion Chamber Assembly	81	900289	1	Belt Hook
25	900704	1	Yoke	82	013703	1	Handle assembly - Right & Left
27	900734	1	Roll Pin	83	900703	1	Handle Bracket
28	900727	1	Knob w/ Yoke Guide Assembly	84	900755	1	Bushing Actuator
29	900707	2	Probe Bumper	85	900788	1	Actuator
30	900671	2	Spring, Combustion Chamber	86	404433	1	Pin Actuator
31	900706	2	Spring Guide	87	900765	1	Spark Plug Wire Assembly
32	013706	1	Latch Cover Quick Black	88	900663	1	Fan Wire Assembly
33	900786	1	Quick Clear Lever Assembly	89	900661	1	Molded Circuit Assembly
35	900619	1	Dowel Pin	90	900629	1	High Tension Clip
36	900684	1	Front Plate	91	404702	1	Screw 6-32 x 3/8"
38	900685	1	Latch Cover Pin	92	900626	1	Trigger Spring
39	900686	1	Probe	93	900608	1	Trigger Spring Bushing
40	900702	1	Probe Tip	94	900632	1	Trigger with Pad
41	900708	2	S.H.C.S. 8-32 x 1/2" (red)	95	900607	1	Trigger Pin
42	900692	1	Retaining Cup	96	900672	1	Electronic Spark Unit
43	900772	1	Nose	97	900696	1	Soft Grip
44	900631	1	Spring	98	900662	1	ESU Power Wire Assembly
45	900602	1	Lockout Bar	99	403099	1	Retaining Ring
46	900630	1	Lockout Pin	100	403098	1	Piston Ring
48	900730	1	Sleeve Assembly	101	900728	1	Piston Assembly
49	900616	1	O-Ring	*102	900680	1	Piston Bumper
50	901089	1	Exhaust Baffle	103	900746	2	Screw 8-32 x 7/16"
51	900665	1	Reed Plate	104	900754	1	Screw 8-32 x 1/2" (yellow)
52	900664	1	Reed Valve	105	900645	1	Ball, knob
53	900609	1	Muffler	106	900766	1	Pad, Molded Circuit Board
54	900668	1	Muffler Cover				

\* Denotes Normal Wear Items

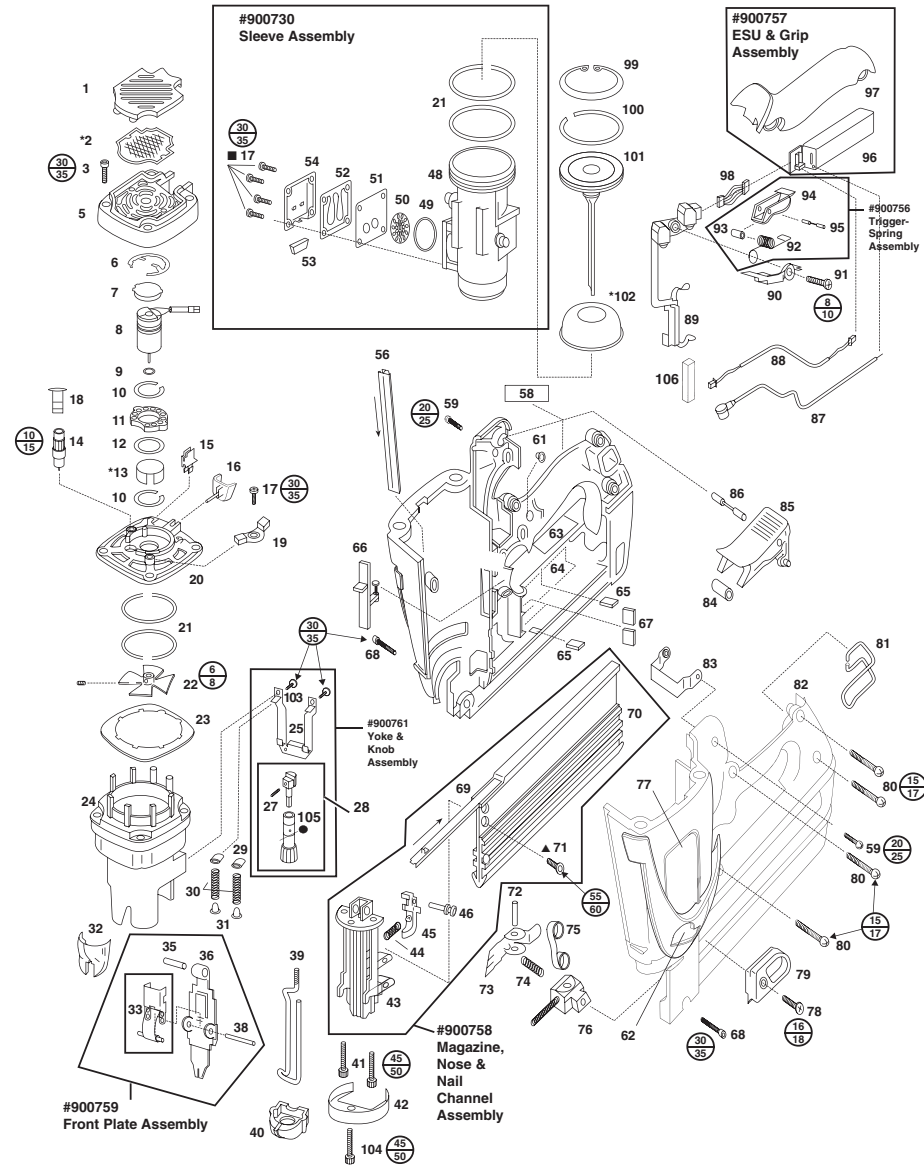
■ Apply Loctite RC-620 (Green) Part No. 401491

▲ Apply Loctite 277

→ Denotes Change

# IM65A F16

Part No. 013310 (EU), 013311 (UK)



TORQUE VALUES	
MIN	IN.LBS
MAX	