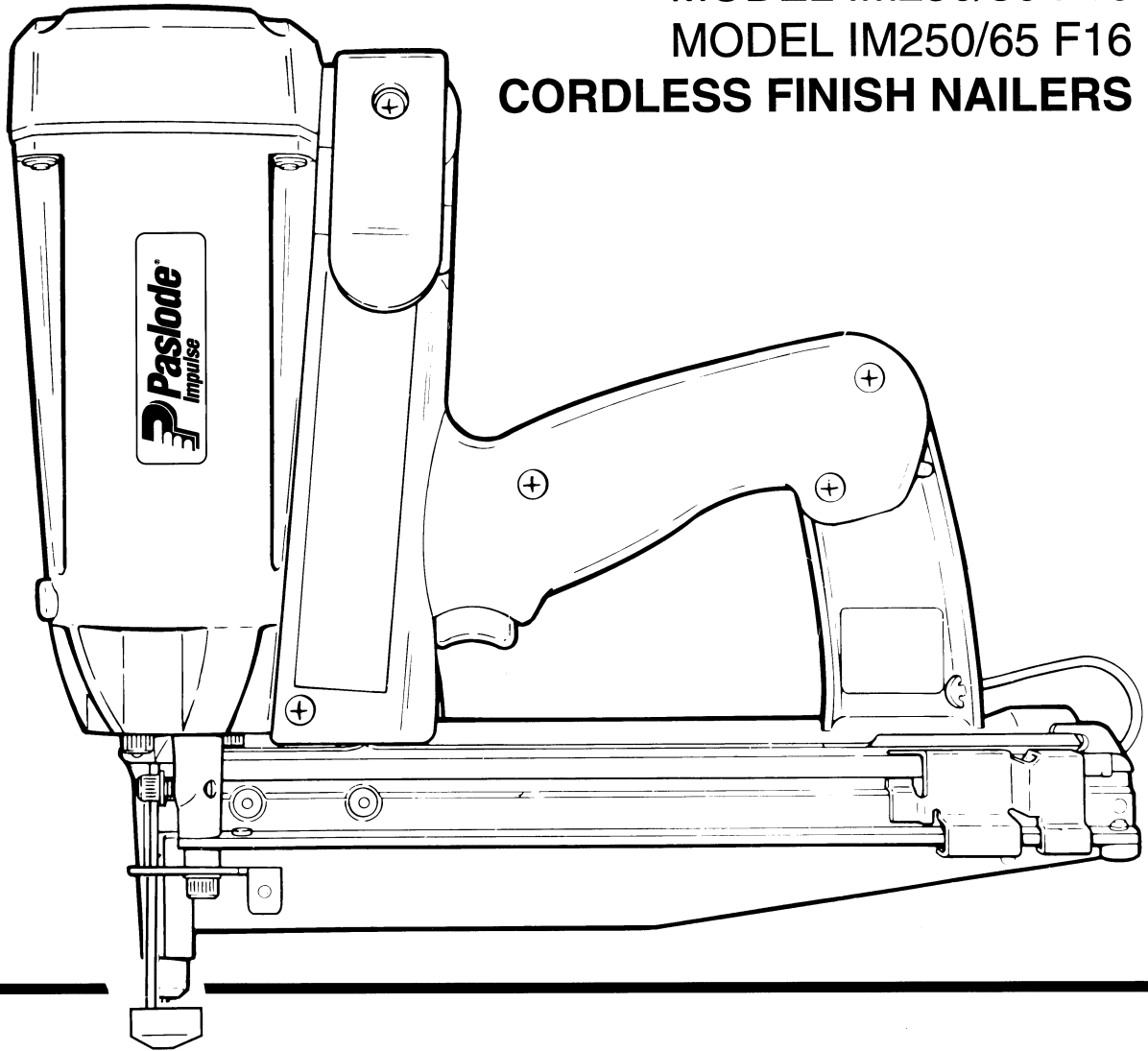




---

MODEL IM250/50 F16  
MODEL IM250/65 F16  
**CORDLESS FINISH NAILERS**



---

TOOL SCHEMATIC AND PARTS

---

# IM250/50 F16, 900185

# PARTS LEGEND IM250/65 F16, 405091

1	900096	1	Grille	54	403115	1	Constant Force Spring
2	403161	1	Filter	55	403103	1	Pin
3	008738	4	Socket Head Cap Screw, 10-24 x 1-1/4	56	403117	1	Follower
4	008388	9	Flat Washer #10	57	403113	1	Rail Cover
5	900109	1	Cap Assembly	58	403112	1	Spacer, Rail
6	404427	3	Screw, Taptite, 8-32 x 5/8	59	403731	2	Rivet
7	006562	3	Washer #8	60	403118	4	Bumper
8	900271	1	Circuit Board Assembly	61	403111	1	Rail, Left
9	900272	1	Motor & Connector	62	403109	1	Rail, Right (IM250/50 F16)
10	403842	1	Spark Plug Boot		405092	1	Rail, Right (IM250/65 F16)
11	401341	1	Spark Plug Assembly	63	403110	2	Wear Strip
12	401356	1	Sleeve, Motor	64	403108	1	Rail Assembly (IM250/50 F16)
13	401345	1	Motor Mount Assembly		404381	1	Rail Assembly (IM250/65 F16)
14	401355	1	Retaining Ring	65	004618	4	Socket Head Cap Screw, 10-24 x 5/8
→ 15	403146	1	Stem Adapter (Yellow)	66	023705	2	Flat Head Cap Screw, 1-1/4 x 3/8
16	900004	1	Cylinder Head	67	403227	4	E-Ring, Retaining
*17	404700	2	O-Ring	68	403821	1	Spacer
18	403167	1	Fan Blade Assembly	69	403823	1	Latch Assembly
19	900141	1	Insulation	70	004174	4	Socket Head Cap Screw, 10-24 x 7/8
20	404618	1	Spark Unit Assembly	71	403826	1	Spring
21	404601	1	Head Switch Assembly	72	403104	1	Air Dam
22	404490	1	Trigger Switch Assembly	73	403100	1	Combustion Chamber Assembly
23	900140	1	Cable Clamp	74	403099	1	Retaining Ring, Piston
24	900011	1	Battery Contact Assembly	*75	403098	1	Piston Ring
▲ 25	900094	2	Screw, 10-32 x 5/8	76	403095	1	Piston Driver Blade Assembly
26	006546	5	Internal Tooth Lockwasher #10	*77	403094	1	Bumper
27	404432	1	Bushing	→ 78	900236	1	Clip Handle
28	403153	1	Actuator	79	403084	1	Sleeve and Midcheck Ring Assembly
29	404433	1	Pin	80	403089	1	Seal Washer
30	900136	1	Actuator Assembly	81	403090	2	Wave Washer
31	401405	3	Hex Nut 6-32	82	403092	2	Retaining Ring, Midcheck
32	900137	1	Handle Assembly, Right Side	83	403091	1	Muffler
33	403116	1	Operating Label	84	404339	1	Spring, Chamber Return
34	900186	1	Nameplate, (IM250/50 F16)	85	403106	1	Cage
	405552	1	Nameplate, (IM250/65 F16)	86	900091	2	Label, Logo
35	403156	1	Lanyard	87	403046	1	Nose Assembly
36	403155	1	Battery Cap	88	900135	1	Housing Assembly
37	900138	1	Handle Assembly, Left Side	89	403049	1	Retaining Ring, Nose
**38	402618	1	Warning Label	90	403822	1	Pivot Pin
39	401404	3	Washer #6	91	403827	1	Rear Guide
40	401403	3	Screw, 6-32 x 1	92	404176	1	Probe
41	401495	1	Belt Hook	93	404180	1	Tip, Deep Drive (Black)
42	403107	1	Screw, 8-32 x 1 1/2	94	404181	1	Tip, Flush Drive (Brown)
43	403082	3	Washer .189 x .312 x .040	95	900182	2	Washer, Trigger
44	403166	1	Bushing	96	405517	1	Fastener Label (IM250/50 F16)
45	401450	2	Pad		405518	1	Fastener Label (IM250/65 F16)
46	404385	1	Light Pipe	97	403828	1	Front Guide
47	402201	2	Screw, Phillips Head, 2-56 x 5/8	98	403713	1	Retaining Ring
48	401395	1	Spring	99	404613	1	Cable Tie
49	403141	1	Trigger	100	900164	1	Ring
50	403127	1	Retention Cap	→ 101	900166	1	Spring
51	001641	1	Nut, 8-32	102	400008	1	Back Plate Insert (Optional)
52	404308	2	Lock Nut	103	900300	1	Retaining Ring
53	403114	1	Spring, Rail Cover Return				

\* Denotes normal wear items.

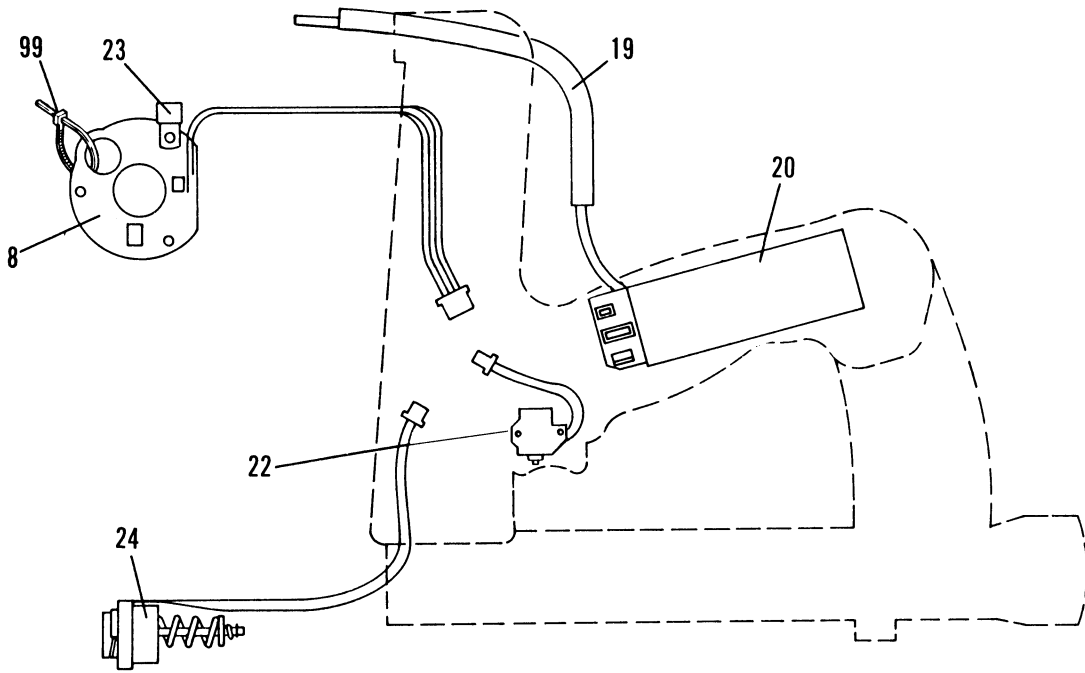
\*\* NOTE: Make sure warning label(402618) is properly affixed, replace if necessary. Label available at no charge through the Service Department.

▲ Apply Loctite 242 (Blue) Part No. 093500

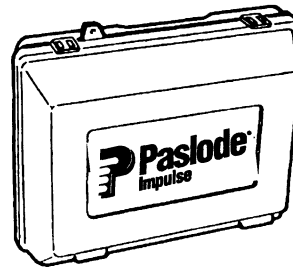
→ Denotes new change.







# ACCESSORIES



**Impulse Nailer Case**

Part No. 403164

**Fuel Cell**



Part No. 113602

**Battery Cell**



Part No. 402500

**Impulse Oil**



Part No. 401482

**Torx Key**

For tightening fan blade to motor.



Part No. 900183

**Battery Charger**

Part No. 402616

**Clear Safety Glasses**



Part No. 402510

**Adjustable No-Mar Work Contact Element Kit**

This work contacting kit has multiple settings to precisely control the depth of drive without marring the work surface.



Part No. 219066

**Degreaser Cleaner**

Ideal cleaner for all Paslode tools.

Part No. 219086

**Service Tool Kit**

A 19 piece tool kit containing all the necessary tools to repair any Impulse Tool.

Part No. 401498