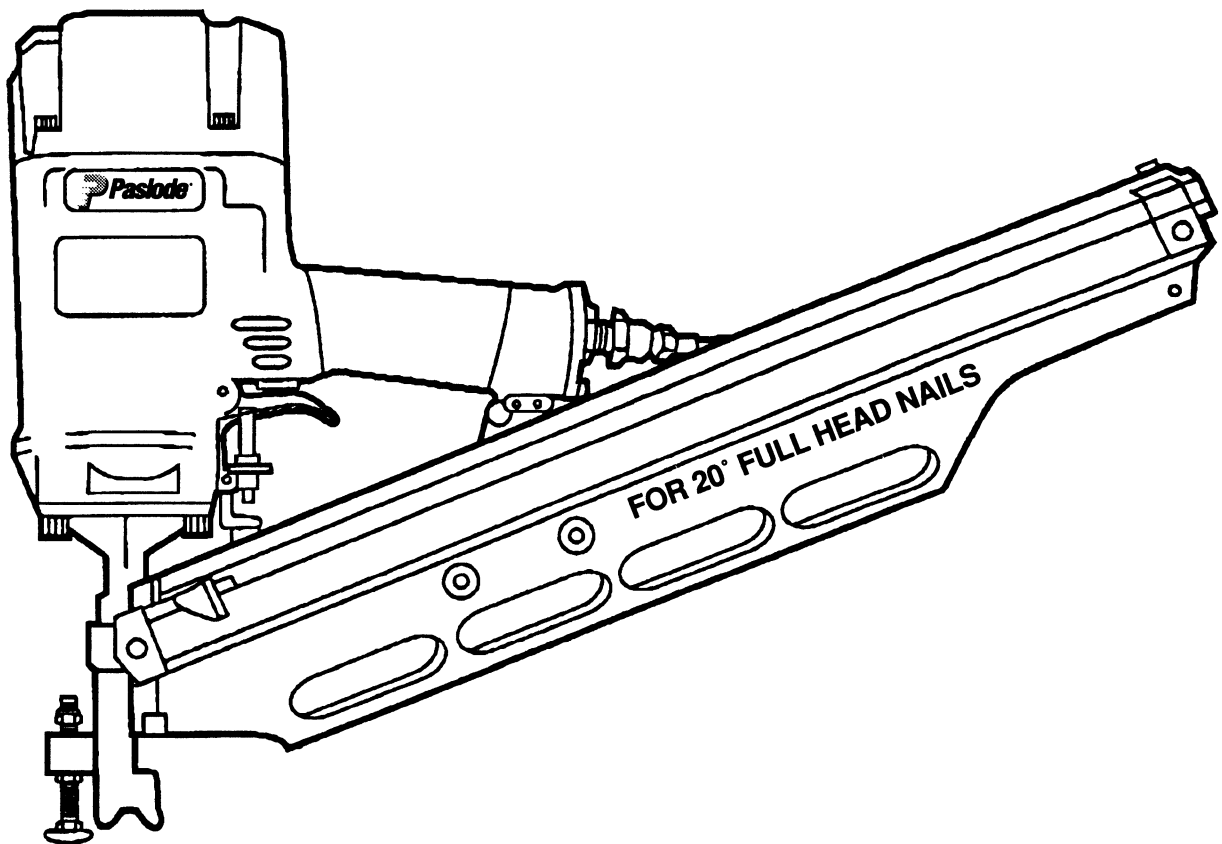




---

## MODEL 5350/SRH 20° STRIP NAILER



---

**IMPORTANT!**  
**DO NOT DESTROY**

Always refer to safety and maintenance manual #403606 for detailed information on this tool. It is the customer's responsibility to have all operators and service personnel read and understand this information.

## TOOL SCHEMATIC AND PARTS

---

# PARTS LEGEND

5350/SRH 20°, 590100

▲ 1	590073	3	Nyloc Screw M5 x 45	* 44	590111	1	O-Ring
2	590074	10	Washer 6 x 1.51	45	590112	1	Plunger
3	590075	1	Exhaust Cover	46	590113	1	Trigger Valve Guide
4	590076	4	Nyloc Screw M5 x 25	* 47	590114	3	O-Ring
5	590077	1	Cap Assembly	48	590115	1	Trigger
* 6	590078	1	Gasket	49	590116	1	Pin
7	590079	1	Gasket	50	590117	1	Seal Air
8	590080	1	Exhaust Valve	51	590118	1	Ball
9	590081	1	Valve Bushing Set	52	590119	1	Washer
→ * 10	092971	1	O-Ring	53	590120	1	Trigger Valve
11	590146	1	Piston Assembly	54	590121	1	Plunger
* 12	590085	3	O-Ring	55	590122	1	O-Ring
13	590086	1	O-Ring	56	590123	1	Nail Rail
14	590087	1	Sleeve Plate	57	590124	1	Washer 4 x 12
* 15	590088	1	O-Ring	58	590125	1	Nylok Nut M6
16	590089	1	Sleeve	59	590126	1	Nylok Nut M4
* 17	590090	1	O-Ring	60	590127	1	Follower
18	590091	1	Ring	61	590128	1	Lock Holder
19	590092	1	Compression Spring	62	590129	1	Support
20	590093	1	Washer	63	590130	2	Nylok Nut M6
21	590094	1	Sleeve Plate	▲ 64	590131	2	Nylok Screw M6 x 18
22	590095	1	Seal Air	65	590132	1	Cover
23	590096	1	Housing	66	590133	1	Pin
* 24	590097	1	O-Ring	67	590134	1	Negator Spring
* 25	590245	1	Bumper	68	590135	1	Nylok Screw M4 x 10
* 26	590099	1	Gasket	69	590136	1	Magazine End Cap
27	590101	1	Nose Assembly	70	590137	1	End Stopper
▲ 29	590102	4	Nylok Screw M6 x 20	71	590138	1	Screw M5 x 50
30	590103	1	Nylok Screw M5 x 20	72	590139	1	Special Spring
31	590002	7	Washer 6 x 1.1	73	590140	1	Spacer
32	590104	1	Gasket	74	590141	1	Follower Release
33	590105	1	End Cap	75	590142	1	Screw M4 x 20
34	590033	1	Air Plug	76	590143	2	Screw M6 x 10
35	590145	1	Front Stopper	77	590144	1	Magazine
36	590106	1	Spring Pin	78	590150	1	Nylok Screw M5 x 10
37	590107	1	Screw M5 x 16	79	590151	1	Cover
38	590108	2	Compression Spring	80	590152	1	Plate
39	590109	1	Work Contacting Element Ass'y	81	590153	2	Washer
40	590050	1	Hex Nut M5	82	590256	1	Grip
41	590148	1	Hex Nut M6	83	590254	1	Nameplate
42	590149	1	Screw M6 x 30	84	590255	1	Fastener Label
43	590110	1	Compression Spring	85	404939	2	Logo Housing Label
				** 86	500458	1	Warning Label

\*\* Make sure Warning Label (500458) is properly affixed. Replace if necessary. Label available at no charge through the Service Parts Dept.

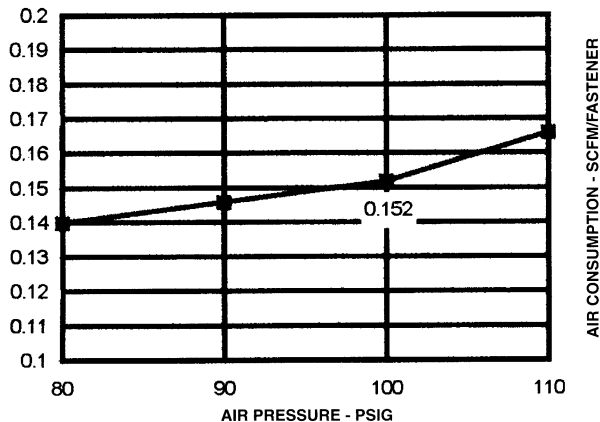
\* Denotes normal wear items.

▲ Apply Loctite Blue (242) Part #093500.

→ Denotes New Change

## PARTS OFFERED ASSEMBLIES

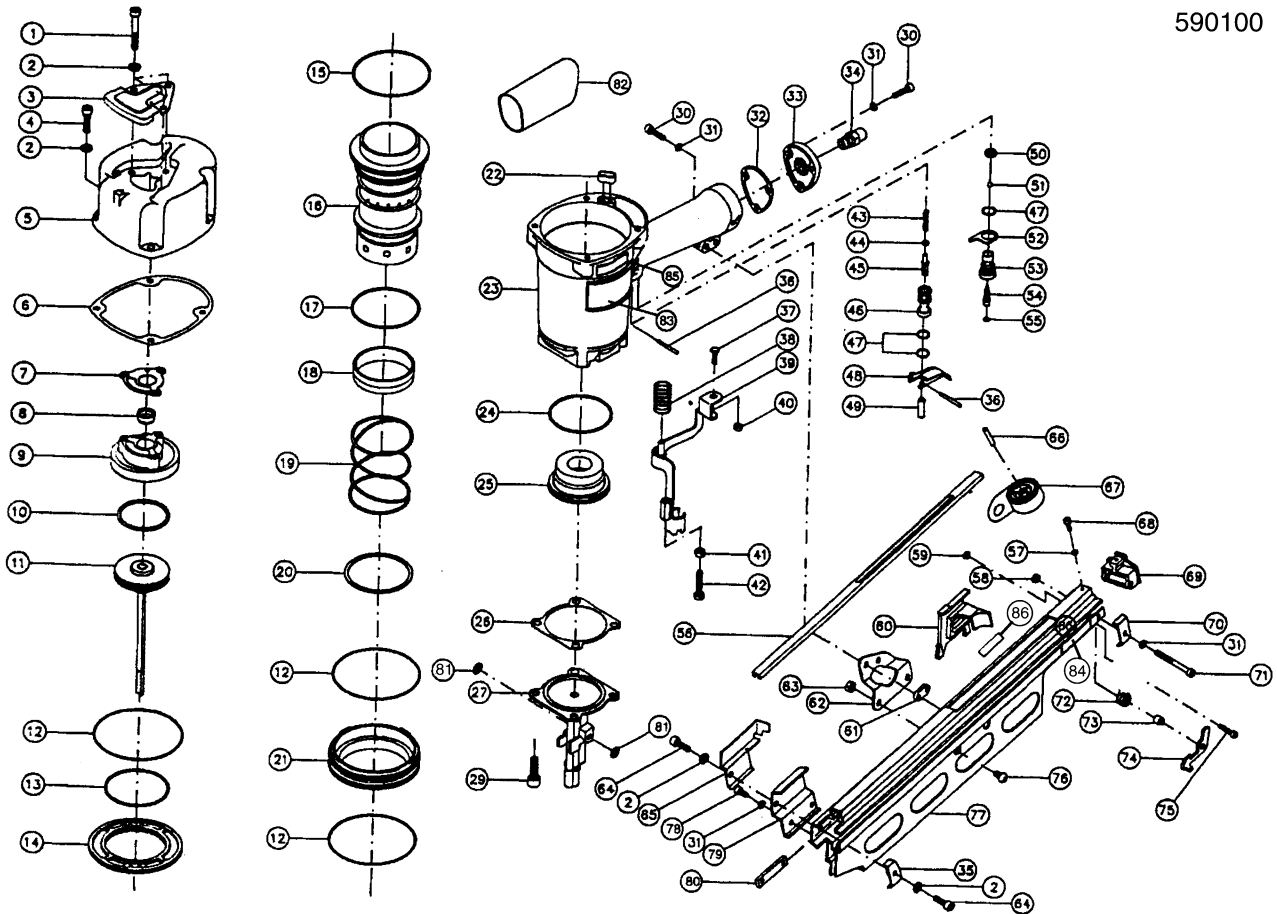
### AIR CONSUMPTION CHART



### 590258 MAGAZINE ASSEMBLY

Includes

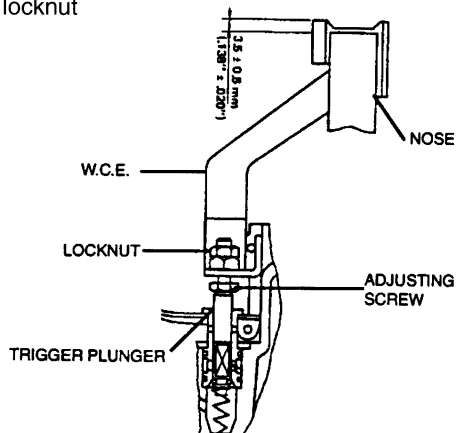
31	590002	1	Washer
56	590123	1	Nail Rail
57	590124	1	Washer 4 x 1.2
58	590125	1	Nylok Nut M4
59	590126	1	Nylok Nut M5
68	590135	1	Nylok Screw M4 x 10
69	590136	1	Magazine End Cap
70	590137	1	End Stopper
71	590138	1	Screw M5 x 50
72	590139	1	Special Spring
73	590140	1	Spacer
74	590141	1	Follower Release
75	590142	1	Screw M4 x 20
76	590143	2	Screw M6 x 10
77	590144	1	Magazine



## ADJUSTING THE WORK CONTACTING ELEMENT ADJUSTING SCREW

*MAKE SURE TO DISCONNECT AIR SUPPLY*

1. Turn tool upside down
2. Loosen locknut
3. Fully depress W.C.E. and release
4. Depress W.C.E. until toe nailing tooth is 1/8" above the nose surface
5. Adjust screw until it makes contact with the trigger plunger
6. Tighten locknut



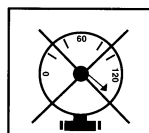
## SAFETY INSTRUCTIONS

WEAR EYE AND HEARING PROTECTION

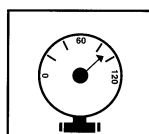


Always wear hearing protection and eye protection devices, including side shields when operating or working in the vicinity of a tool.

DO NOT EXCEED MAXIMUM RECOMMENDED AIR PRESSURE



Operate the tool using only the recommended air pressure. Do not exceed the maximum air pressure marked on the tool. Be sure the air pressure gauge is operating properly and check it at least twice a day.



Never use any bottled air or gases such as oxygen to operate the tool since they could cause the tool to explode.

## TROUBLE SHOOTING GUIDE

**WARNING** Stop using the nailer immediately if any of the following problems occur. Any repairs or replacements should be done only by an Authorized Distributor or Paslode Tool Repair Center.

Problem	Probable Cause	Solution
AIR LEAKING AT TRIGGER VALVE AREA	O-rings in trigger valve housing are worn or damaged	Replace O-rings and check operation of sequential work contacting mechanism
AIR LEAKING BETWEEN HOUSING AND NOSE	Loose screws in housing, damaged O-rings or bumper	Tighten screws or replace O-rings or bumper
AIR LEAKING AT TRIGGER VALVE STEM	O-rings or seals are damaged	Replace O-rings or seals
RUNS SLOWLY OR HAS POWER LOSS	Nailer insufficiently oiled Broken spring in cylinder cap Exhaust port in cap is blocked	Lubricate as instructed Replace spring Replace damaged internal parts
NAILER "SKIPS", OR DOES NOT DRIVE A NAIL	Worn bumper or damage negator spring Dirt in nosepiece Inadequate airflow to nailer Worn O-ring on piston or too dry Damaged O-ring on trigger valve Cap gasket leaking	Replace both or either parts Clean nosepiece Check fittings, hose or compressor Replace O-rings or lubricate Replace O-rings Replace gasket
NAILS ARE JAMMED IN NAILER	Guide on driver is worn  Nails are wrong size or damaged  Magazine or nose screws are loose  Piston assembly is damaged Nose is worn	Replace guide  Use only recommended and undamaged nails Tighten screws  Replace piston assembly Replace nose
NAILER WILL NOT DRIVE DOWN TIGHT	Rounded driver blade and is slipping off nail crown Lack of power  Slow cycling and loss of power	Replace piston assembly Adjust to adequate air pressure  Check spring under cap for broken coils or reduce length, check if cap in exhaust port is restricted
BLADE DRIVING NAIL TOO DEEPLY	Worn bumper and or piston spacer	Replace either or both parts
TOOL NOT CYCLING PROPERLY	Work contacting element (W.C.E) adjusting screw is improperly adjusted	<i>See Adjusting Work Contacting Element Adjusting Screw</i>

## ACCESSORIES

**Sky Hook**  
Part No. 590257

**Belt Hook/Rafter Hanger**  
Part No. 219215



An Illinois Tool Works Company  
888 Forest Edge Drive  
Vernon Hills, Illinois 60061-3105