

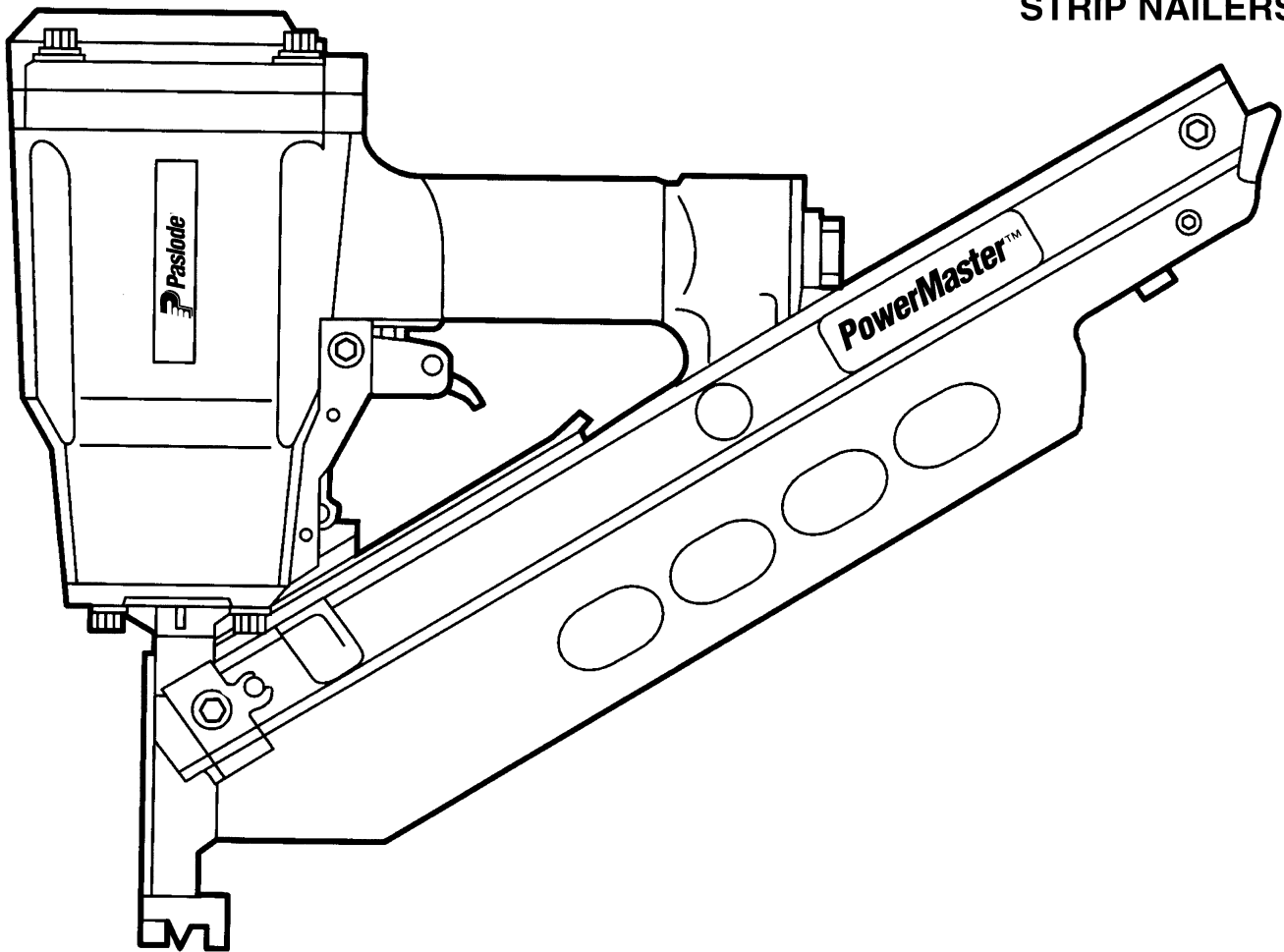


PowerMaster™

5350/90S-PM

5350/90SQ-PM

STRIP NAILERS



**IMPORTANT!
DO NOT DESTROY**

Always refer to safety and maintenance manual #403606 for detailed information on this tool. It is the customer's responsibility to have all operators and service personnel read and understand this information.

PowerMaster™

TOOL SCHEMATIC AND PARTS

PARTS LEGEND MODEL 5350/90S-PM Part No. 404910

5350/90SQ-PM Part No. 500510 (Europe)

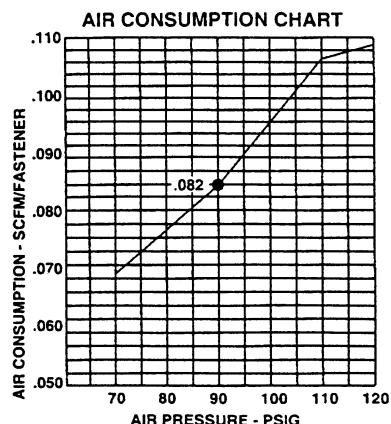
1	013625	4	Socket Head Capscrew #8-32 x 1/2"	42	401992	1	Spring, Intermediate W.C.E.
2	406026	4	Cupwasher, Diffuser	43	401991	1	Intermediate Work Contacting Element
3	402057	1	Air Deflector	44	096893	1	Name Plate
	402448	1	Air Diffuser (5350/90SQ))		405553	1	Name Plate (5350/90SQ)
4	092735	4	Socket Hd Capscrew, 1/4-20 x 1-1/4	45	402079	1	Trigger Pin
	091873	4	Socket Hd Capscrew 1/4-20 x 2" (5350/90SQ)	46	404325	1	Stop Nut
5	002187	4	Lock Washer, 1/4"	47	005849	1	Roll Pin, 1/8" Dia. x 11/16"Lg.
6	092757	4	Flat Washer	48	405144	1	Trigger
	091447	4	Flat Washer (5350/90SQ)	49	405147	1	Lever, Trigger
7	500452	1	Cap	50	500484	2	Logo, Magazine
*8	401983	1	Gasket	51	401940	1	End Plug
9	500407	1	Spring	52	091622	1	Reducing Pipe Bushing
10	406041	1	Retaining Ring	53	091591	1	O-Ring, End Plug
*11	500461	1	O-Ring, Upper Valve Piston	*54	402008	1	Gasket, Nose Flange
12	500455	1	Upper Valve Piston	55	404885	1	Nose
13	401946	1	Seal, Main Valve	56	095417	4	Lock Washer, 5/16
*14	092042	1	O-Ring, Lower Valve Piston	57	009016	4	Socket Hd Capscrew, 5/16 - 18 x 1"
*15	091208	1	O-Ring, Lower Valve Piston	58	404663	1	Spring, Work Contacting Element
*16	401950	1	O-Ring, Lower Valve Piston	59	404886	1	Work Contacting Element, Lower
17	500456	1	Lower Valve Piston	60	500593	1	Magazine
18	500454	1	Post	63	404932	1	Cover, Work Contacting Element
19	095432	1	O-Ring, Post	▲ 64	404904	2	Socket Head Capscrew, 1/4 - 28 x 5/8
▲ 20	402906	1	Button HD Capscrew #10-32 x 5/8"	65	500513	1	Negator Spring Assembly
21	091861	1	Nut	66	501046	1	Drum Pin Assembly
22	092116	1	Washer	68	500531	1	Follower
*23	092971	1	O-Ring, Piston	69	500516	1	FH Socket Head Screw, 5/16-24 x 7/8
24	401956	1	Piston	70	500524	1	Washer
*25	401904	1	Driver Blade	71	500525	1	Gripco Nut 5/16 - 24
26	402011	1	Seal, Sleeve	72	500517	1	Socket Head Capscrew 10-32 x 2"
27	401900	1	Sleeve	73	500511	1	Magazine End Cap
*28	092762	1	O-Ring, Sleeve	74	091732	1	Lock Nut, 10-32
29	091024	1	O-Ring, Sleeve	75	500518	1	Socket Head Capscrew, 6-32 x 5/8"
30	401984	1	Flange	76	500520	2	Wear Strip
31	402993	1	Shim	77	091569	1	Flex-Loc Nut, 6-32
*32	401985	1	O-Ring, Flange	78	401434	1	Spring, Latch
*33	404768	1	Bumper	79	404908	1	Bushing, Latch
34	401936	1	Housing	80	500515	1	Follower Latch
35	500488	1	Grip, Handle	**81	500458	1	Warning Label (5350/90S)
36	404937	2	Logo, Housing	82	500509	1	Front Bracket
37	097748	1	Spring, Valve Pin	83	500521	1	Nail Cover
38	097746	1	Valve Pin	84	500453	1	Bumper, Post
*39	092174	1	O-Ring, Valve Body	85	500571	1	Fastener Range Label (5350/90SQ)
40	401958	1	Valve Body	86	402447	4	Spacer, Diffuser (5350/90SQ)
41	026133	3	Roll Pin, 1/8" Dia x 1"Lg				

▲ Apply Loctite 242 (Blue) Part No. 093500

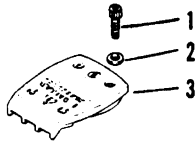
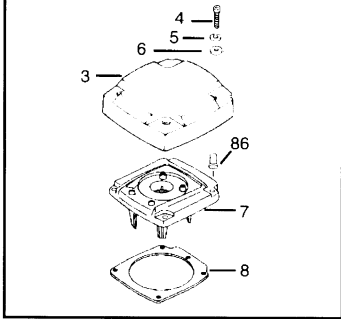
* Denotes normal wear items

** NOTE: Make sure warning label (500458) is properly affixed. Replace if necessary. The label is available at no charge through the service department.

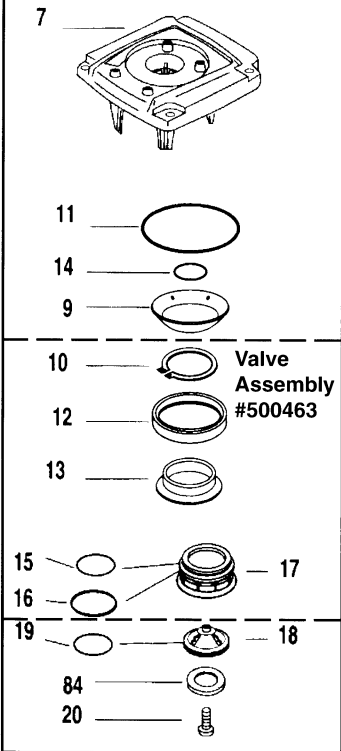
→ Denotes Change



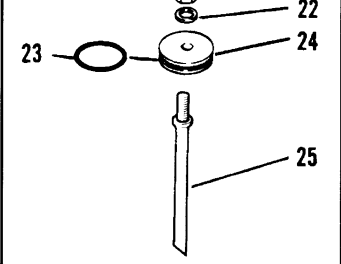
"Q" Parts



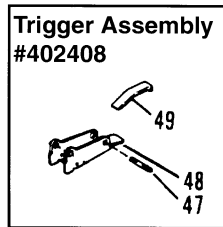
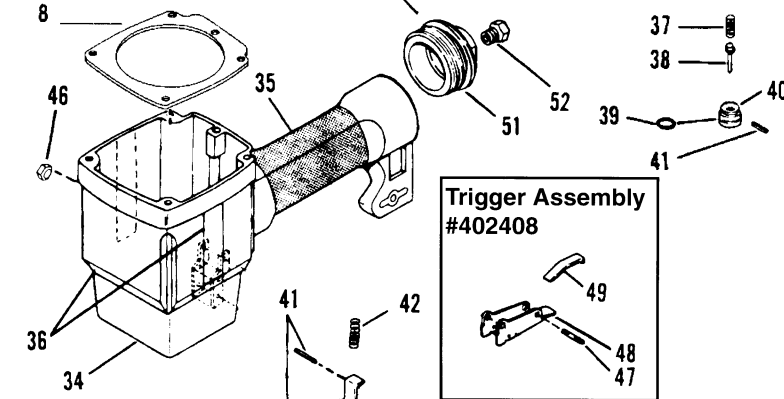
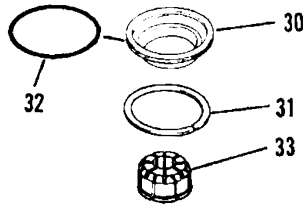
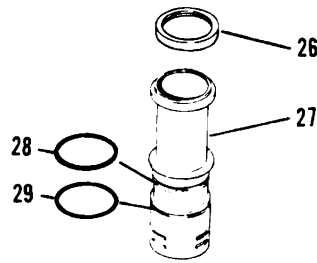
**Cap Assembly
#500466**



**Piston Assembly
#401933**



5350/90S-PM
404910
5350/90SQ-PM
500510 (Europe)



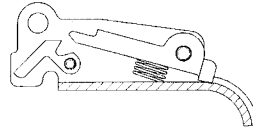
WARNING

All Parts must be periodically inspected and replaced if worn or broken. Failure to do this can affect the tool's operation and present a safety hazard.

ACCESSORIES

Sequential Operating Kit

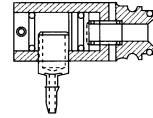
This special attachment is designed for sequential operation (stops contact firing). The operator must depress and hold the work contacting element against the work surface before pulling the trigger. This sequence must be repeated each time the tool drives a fastener.



Part No. 406006

Remote Fire Valve

This valve via a positive air signal allows a machine mounted tool to be operated from an automatic air valve or foot pedal system.



Part No. 1X0713

Adjustable Flush Drive Work Contacting Element

This Work Contacting Element has multiple settings to control depth of drive and will not mar the work surface.



Part No. 405244

No Mar Tip

For decking and siding applications where the normal work contacting element will mar the surface.



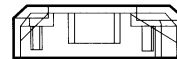
Part No. 405074

Lubricants and Loctite

Loctite 242 (Blue) Part No. 093500
 Lubricating Oil 8 oz. Part No. 219026
 Lubricating Oil with Antifreeze Part No. 219090
 Chemplex 710 Lubricant 1 lb. Part No. 403734

Silencer Kit

This kit is used to minimize the sound of the air rushing out of the air deflector during tool operation.



Part No. 402451

Degreaser Cleaner

Ideal cleaner for all Paslode® tools. Part No. 219086

Belt Hook

Part No. 219017

Safety Glasses

Clear Part No. 402510
 Tinted Part No. 402512

Trigger Valve Repair Kit

This kit repairs all trigger valve air leaks. Part No. 219224

Rafter Hanger Bracket



Part No. 219176

5000 Series Tool Repair Kit

This kit repairs all air leaks except for the trigger valve.

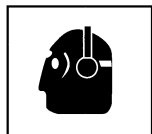
Part No. 219219

SAFETY INSTRUCTIONS

WEAR EYE AND HEARING PROTECTION

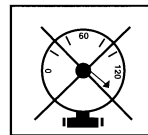


Always wear hearing protection and eye protection devices, including side shields when operating or working in the vicinity of a tool.



Never use any bottled air or gases such as oxygen to operate the tool since they could cause the tool to explode.

DO NOT EXCEED MAXIMUM RECOMMENDED AIR PRESSURE



Operate the tool using only the recommended air pressure. Do not exceed the maximum air pressure marked on the tool. Be sure the air pressure gauge is operating properly and check it at least twice a day.

