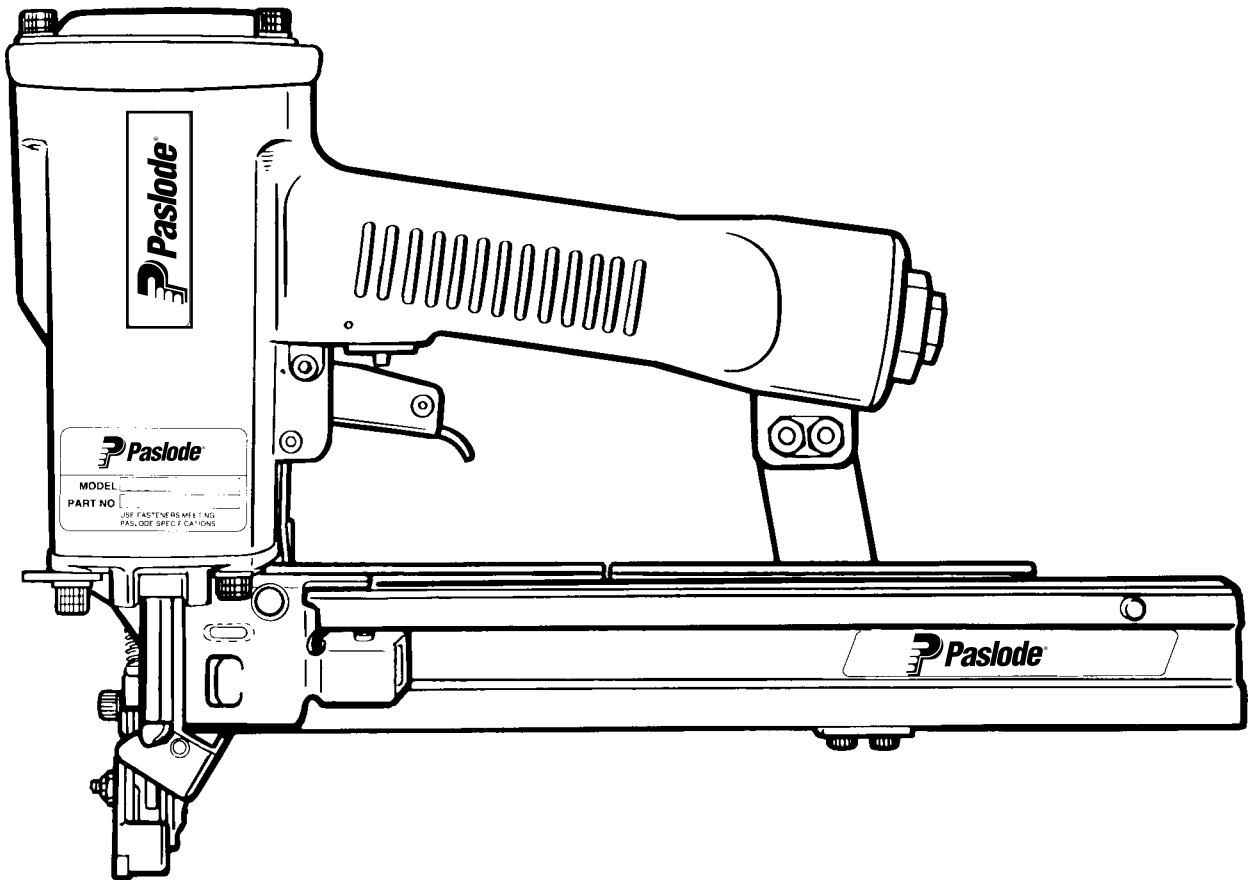




MODEL 3150/38 W16  
MODEL 3200/50 W16  
**WIDECROWN STAPLERS**



## TOOL SCHEMATIC AND PARTS

**IMPORTANT!**  
**DO NOT DESTROY**

Always refer to safety and maintenance manuals #403606, #405218 and #405222 for detailed information on this tool. It is the customer's responsibility to have all operators and service personnel read and understand this information.

# PARTS LEGEND 3200/50 W16, 402775

|      |        |   |   |      |        |   |  |
|------|--------|---|---|------|--------|---|--|
| 1    | 091362 | 4 | Socket Head Capscrew, 1/4 - 20 x 1-1/2" | ▲ 48 | 004224 | 4 | Socket Head Capscrew, #10 - 32 x 3/8"  |
| 2    | 002187 | 4 | Lock Washer, 1/4"                       | 49   | 403716 | 2 | Socket Head Capscrew 10-32 x 5/16"     |
| 3    | 404242 | 1 | Diffuser Cap                            | 50   | 402629 | 2 | Hardened Washer                        |
| 4    | 006310 | 1 | Socket Head Capscrew, #6 - 32 x 1/2"    | 51   | 402737 | 1 | Intermediate Work Contacting Element   |
| 6    | 402704 | 1 | Cap                                     | *52  | 402738 | 1 | Spring                                 |
| 7    | 402717 | 1 | Conical Spring                          | 53   | 402736 | 1 | Flat Washer, #10                       |
| *8   | 404230 | 1 | Retaining Ring                          | 54   | 402608 | 1 | Work Contacting Element                |
| *9   | 091537 | 1 | "O" Ring, Main Valve Assembly           | 55   | 402763 | 1 | Upper Work Contacting Element          |
| 10   | 404122 | 1 | Upper Valve Piston                      | *56  | 402734 | 1 | Spring                                 |
| 11   | 404055 | 1 | Post, Main Valve                        | 57   | 501210 | 1 | Front Guide (3150/38)                  |
| *12  | 404256 | 1 | "O" Ring, Main Valve Post               |      | 501212 | 1 | Front Guide (3200/50)                  |
| *13  | 402723 | 1 | "O" Ring, Piston                        | 58   | 404054 | 1 | Seal, Main Valve                       |
| 14   | 403563 | 1 | Piston                                  | 59   | 404698 | 2 | Roll Pin Assembly                      |
| 15   | 403582 | 1 | Jam Nut                                 | 60   | 501204 | 1 | Back Plate (3150/38)                   |
| *16  | 404182 | 1 | Driver Blade                            |      | 501206 | 1 | Back Plate (3200/50)                   |
| 17   | 402725 | 1 | Seal, Sleeve                            | 61   | 402730 | 1 | Pivot Pin, Front Guide                 |
| 18   | 405245 | 1 | Sleeve                                  | 62   | 501209 | 1 | Latch Pin                              |
| *19  | 402728 | 1 | "O" Ring, Sleeve                        | 63   | 405078 | 1 | Spring, Front Guide Latch (3150/38)    |
| *20  | 402729 | 1 | "O" Ring, Sleeve                        |      | 405079 | 1 | Spring, Front Guide Latch (3200/50)    |
| 21   | 403854 | 1 | Retainer, Bumper                        | 64   | 501207 | 1 | Latch, Front Guide (3150/38)           |
| 22   | 403855 | 1 | Bumper                                  |      | 501208 | 1 | Latch, Front Guide (3200/50)           |
| 23   | 402754 | 1 | Seal, Driver Blade                      | 65   | 402486 | 1 | Retaining Washer                       |
| 24   | 402707 | 1 | Gasket, Cap                             | **66 | 500459 | 1 | Warning Sign                           |
| 25   | 402701 | 1 | Housing                                 | 67   | 402748 | 1 | Pivoting Rail Cover Assembly (3150/38) |
| 26   | 404939 | 2 | Logo, Housing                           |      | 402780 | 1 | Pivoting Rail Cover Assembly (3200/50) |
| 27   | 500685 | 1 | Nameplate (3150/38)                     | 68   | 404848 | 1 | Rail and Rail Cover Assembly (3150/38) |
|      | 500687 | 1 | Nameplate (3200/50)                     |      | 404849 | 1 | Rail and Rail Cover Assembly (3200/50) |
| 28   | 402708 | 1 | Gasket, Flange                          | 69   | 402731 | 1 | Logo, Rail                             |
| 29   | 402706 | 1 | Flange                                  | 70   | 402740 | 1 | Roll Pin, 3/32" Dia. x 7/16 Lg.        |
| 30   | 091545 | 4 | Socket Head Capscrew, 1/4 - 20 x 7/8"   | 71   | 402758 | 1 | Latch, Follower                        |
| 31   | 405144 | 1 | Trigger                                 | 72   | 402759 | 1 | Spring, Follower Latch                 |
| 32   | 402079 | 1 | Pin, Trigger                            | ▲ 73 | 091568 | 1 | Binding Head Screw, #6 - 32 x 1/4"     |
| 33   | 402668 | 2 | Retaining Washer                        | *74  | 091532 | 1 | Negator                                |
| 34   | 405147 | 1 | Lever, Trigger                          | 75   | 091534 | 1 | Drum, Negator                          |
| 35   | 005849 | 1 | Roll Pin                                | 76   | 402743 | 1 | Pin, Negator Drum                      |
| 37   | 026133 | 2 | Roll Pin, 1/8" Dia. x 1" Lg.            | 77   | 402760 | 1 | Follower                               |
| 38   | 401958 | 1 | Valve Body                              | 78   | 404325 | 1 | Stop Nut, #8-32                        |
| *39  | 092174 | 1 | "O" Ring, Valve Body                    | 79   | 091447 | 4 | Flat Washer                            |
| 40   | 097746 | 1 | Valve Pin                               | 80   | 404243 | 4 | Spacer, Diffuser                       |
| 41   | 097748 | 1 | Spring, Valve Pin                       | *81  | 090927 | 1 | "O" Ring                               |
| *42  | 091591 | 1 | "O" Ring, End Plug                      | *82  | 092775 | 1 | "O" Ring                               |
| ▲ 43 | 401940 | 1 | End Plug                                | *83  | 092773 | 1 | "O" Ring                               |
| 44   | 091622 | 1 | Reducing Pipe Bushing                   | 84   | 404056 | 1 | Lower Valve Piston                     |
| 45   | 004502 | 4 | Socket Head Capscrew, #10 - 32 x 5/8"   | 85   | 405243 | 1 | Flange, Sleeve                         |
| 46   | 092037 | 5 | Lock Nut, #10 - 32                      | 86   | 091966 | 1 | O-Ring                                 |
| 47   | 402781 | 1 | Rail Bracket (3200/50)                  | 87   | 500488 | 1 | Grip Handle                            |
|      | 402741 | 1 | Rail Bracket (3150/38)                  |      |        |   |  |

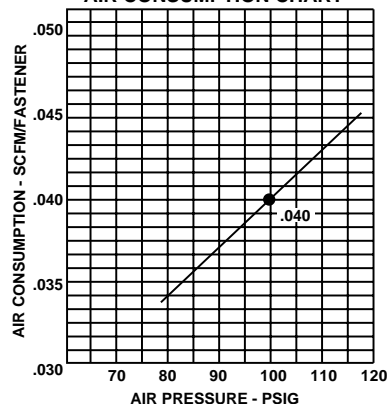
\* Denotes normal wear items.

\*\* Make sure warning label (500459) is properly affixed. Replace if necessary. Label available at no charge through the Service Dept.

▲ Apply Loctite 242 (Blue) Part No. 093500

➔ Denotes new change.

AIR CONSUMPTION CHART

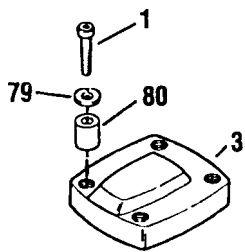


3150/38 W16

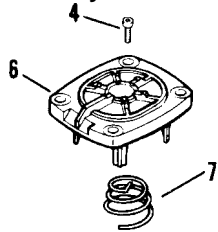
402750

3200/50 W16

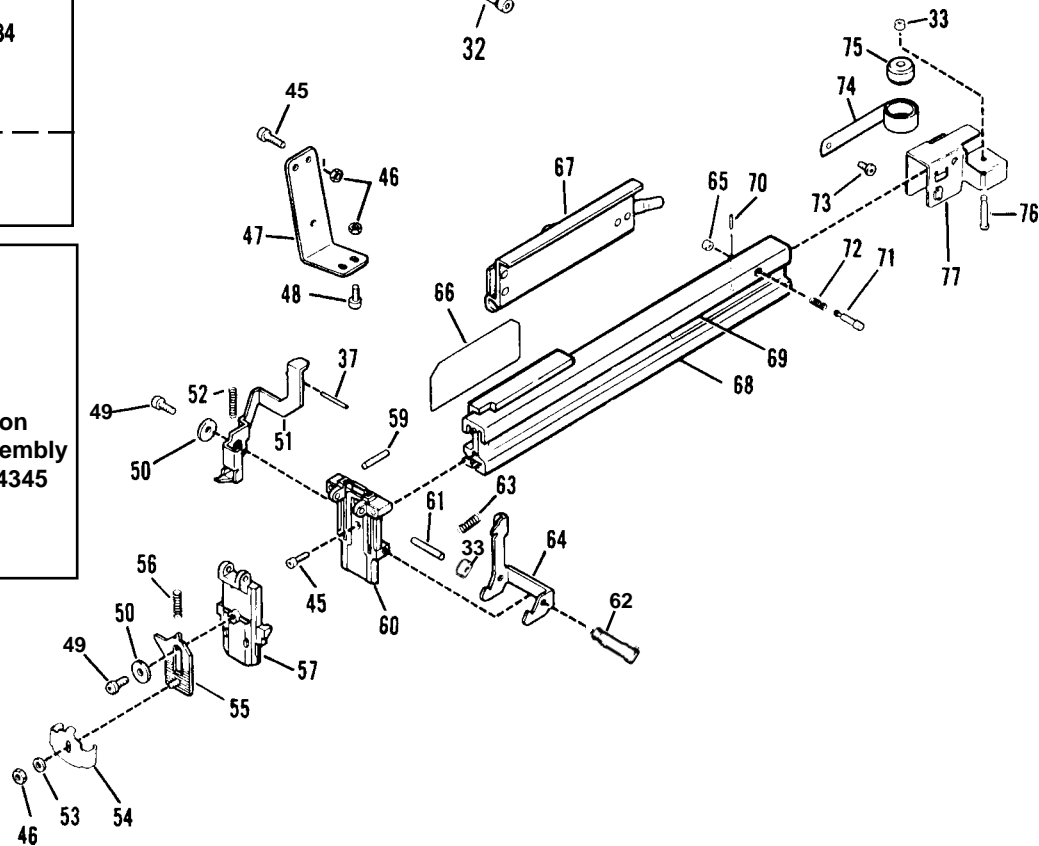
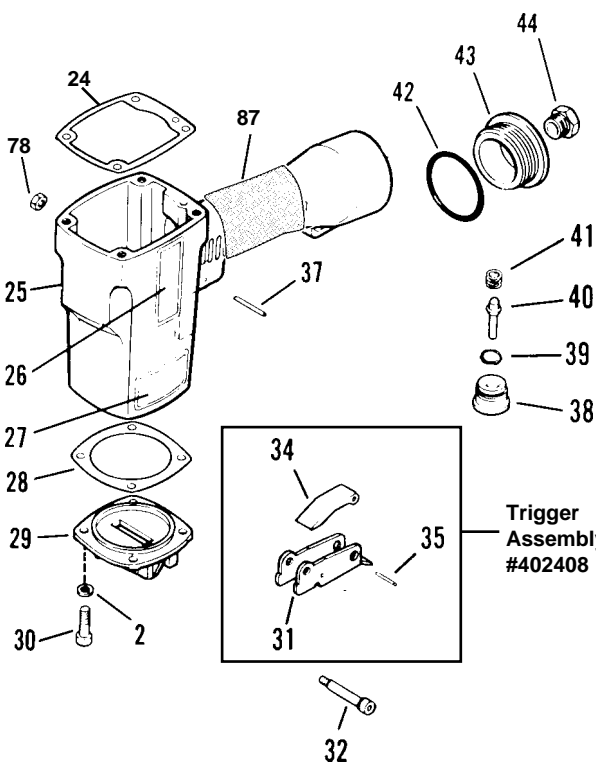
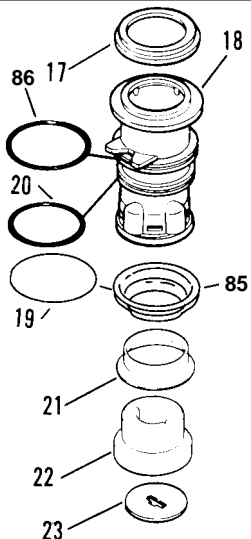
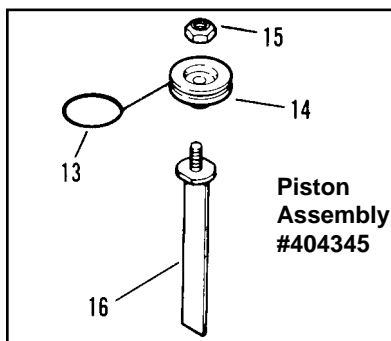
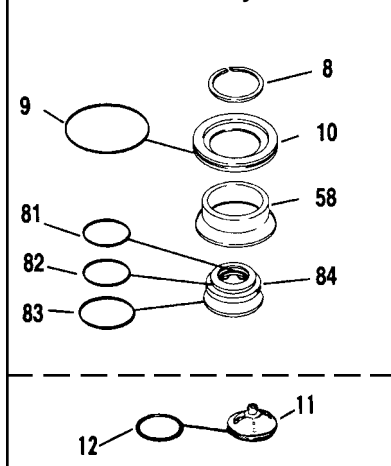
402775



Cap Assembly #402709



Main Valve Assembly #404188

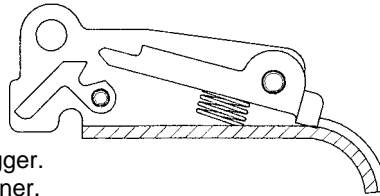


**WARNING**  
All parts must be periodically inspected and replaced if worn or broken. Failure to do this can affect the tool's operation and present a safety hazard

# ACCESSORIES

## Sequential Operating Kit

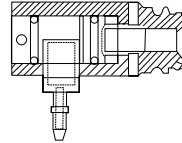
This special attachment is designed for sequential operation (stops "contact" firing). The operator must depress and hold the work contacting element against the worksurface before pulling the trigger. This sequence must be repeated each time the tool drives a fastener.



Part No. 406006

## Remote Fire Valve

This valve via a positive air signal allows a machine mounted tool to be operated from an automatic air valve or foot pedal system.

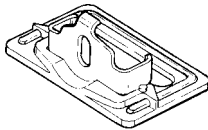


Part No. 1X0713

## Adjustable Foam Contacting Element

This is a wide-foot, cast and brazed assembly that replaces the standard 3000-W16 series work contacting element. This assembly is intended for foam sheathing applications and on machine-mounted tools.

Note: Must be used in combination with #402763 Upper WCE



Part No. 402997

(☞ This item is standard on the 3150/38 W16BF only.)

## Large Nylon Tool Bag

Part No. 219046

## Safety Glasses

Clear



Part No. 402510

Tinted



Part No. 402512

## Belt Hook

Attaches to cap of tool enabling you to carry tool on belt holder. Part No. 219017

## Belt Hook Holder

Attaches to work belt and carries tool using the above belt hook. Part No. 219028

## Wide Crown Stapler Repair Kit

This kit repairs all air leaks except for the trigger valve. Part No. 219220

## Trigger Valve Repair Kit

This kit repairs all trigger valve air leaks. Part No. 219224

## Lubricants and Loctite

|                                       |                 |
|---------------------------------------|-----------------|
| Chemplex 710 Lubricant 1 lb.          | Part No. 403734 |
| Chemplex 710 Lubricant 5 gram tubes   | Part No. 219188 |
| Loctite 242 (Blue) 1 oz.              | Part No. 093500 |
| Lubricating Oil 16 oz.                | Part No. 403720 |
| Lubricating Oil 8 oz. with Antifreeze | Part No. 219090 |

## Degreaser Cleaner

Ideal cleaner for all Paslode tools. Part No. 219086

# SAFETY INSTRUCTIONS

WEAR EYE AND HEARING PROTECTION

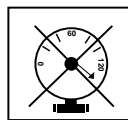
DO NOT EXCEED MAXIMUM RECOMMENDED AIR PRESSURE



Always wear hearing protection and eye protection devices, including side shields when operating or working in the vicinity of a tool.



Never use any bottled air or gases such as oxygen to operate the tool since they could cause the tool to explode.



Operate the tool using only the recommended air pressure. Do not exceed the maximum air pressure marked on the tool. Be sure the air pressure gauge is operating properly and check it at least twice a day.

