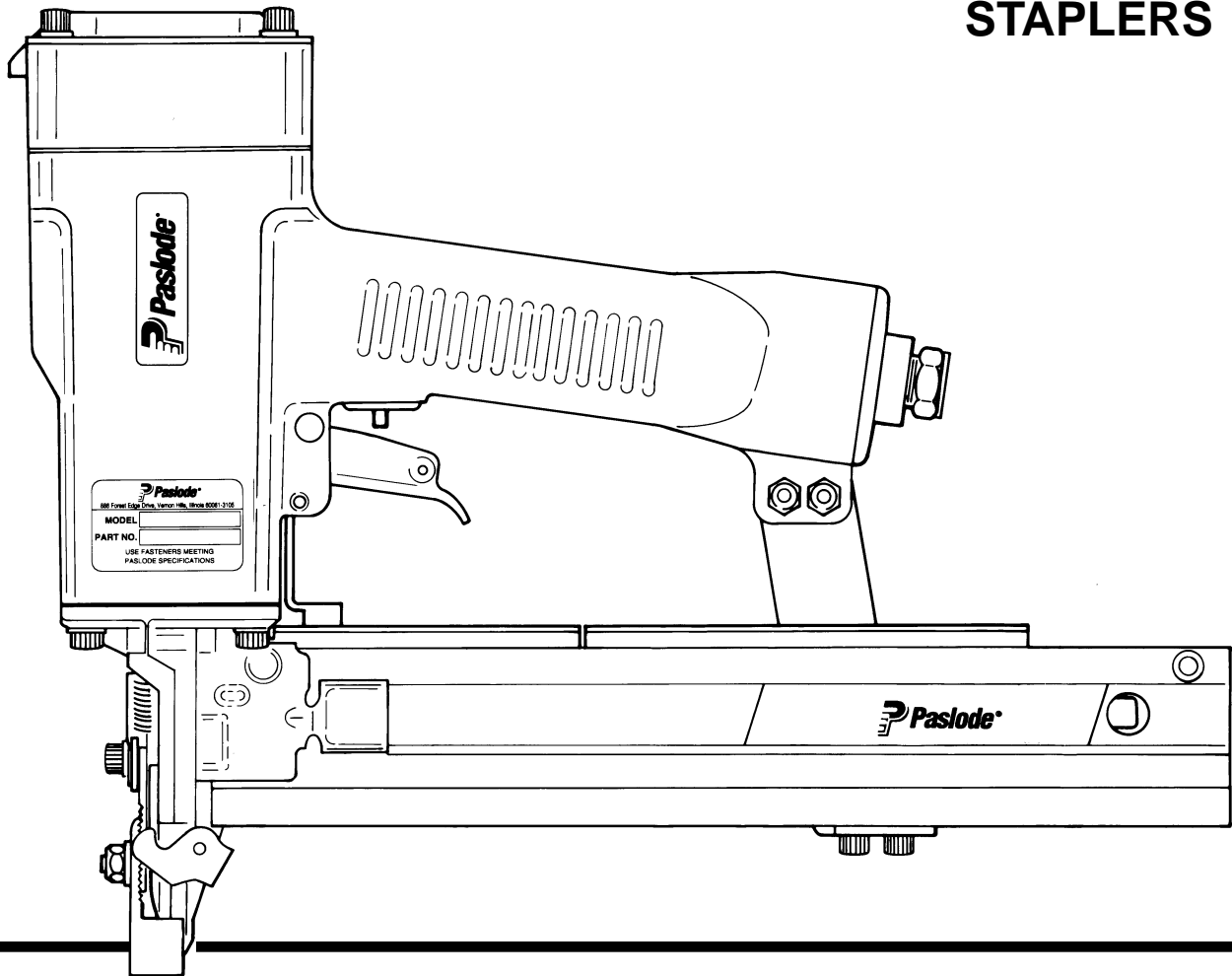




MODEL 3150/38 I16  
MODEL 3200/50 I16P  
MODEL 3150/38 I18  
**STAPLERS**



## TOOL SCHEMATIC AND PARTS

### **IMPORTANT!**

#### **DO NOT DESTROY**

Always refer to safety and maintenance manuals #403606, #405218 and #405222 for detailed information on these tools. It is the customer's responsibility to have all operators and service personnel read and understand this information.

**3150/38 I16, 404023**  
**3200/50 I16P, 402999**  
**3150/38 I18, 404265**

# PARTS LEGEND

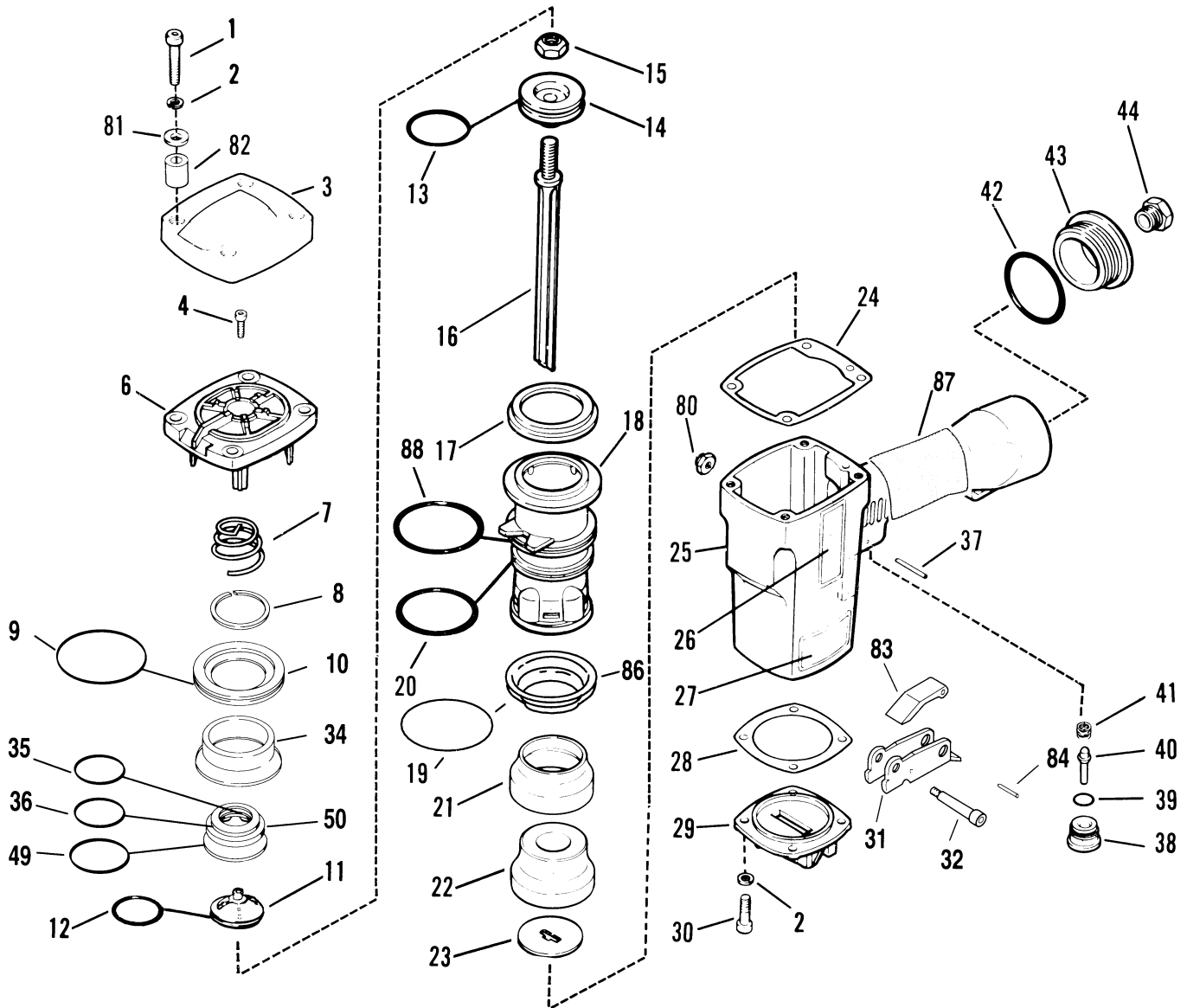
1	091362	4	Socket Head Capscrew, 1/4-20 x 1-1/2" (3150-I16 and I18)	▲ 43	401940	1	End Plug
	404229	4	Socket Head Capscrew, 1/4-20 x 2-1/4" (3200-I16P)	44	091622	1	Reducing Pipe Bushing
2	002187	4	Lock Washer, 1/4"	45	004502	4	Socket Head Capscrew, #10-32 x 5/8"
3	404242	1	Air Diffuser	46	092037	4	Lock Nut, #10-32
▲ 4	006310	1	Socket Head Capscrew, #6-32 x 1/2"	47	402741	1	Rail Bracket (3150/38 I16, I18)
→ 5	070545	1	Lock Washer		402781	1	Rail Bracket (3200/50 I16P)
6	402704	1	Cap (3150/38 I16, I18)	▲ 48	004224	3	Socket Head Capscrew, #10 - 32 x 3/8"
	402705	1	Cap (3200/50 I16P)	*49	092773	1	"O" Ring
7	402717	1	Conical Spring	50	404056	1	Lower Valve Piston
8	404230	1	Retaining Ring	51	403716	2	Socket Head Capscrew #10-32 x 5/16"
*9	091537	1	"O" Ring, Main Valve Assembly	52	402629	2	Hardened Washer
10	404122	1	Upper Valve Piston	53	402794	1	Intermediate Work Contacting Element
11	404055	1	Post, Main Valve	*54	402738	1	Spring
*12	404256	1	"O" Ring, Main Valve Post	55	402736	1	Flat Washer, #10
*13	402723	1	"O" Ring, Piston	56	402793	1	Work Contacting Element (3150/38 I16, I18)
14	403563	1	Piston		403207	1	Work Contacting Element (3200/50 I16P)
15	403582	1	Jam Nut	57	402792	1	Upper Work Contacting Element
*16	403725	1	Driver Blade (3150/38 I18)	*58	402734	1	Spring
	404021	1	Driver Blade (3150 I16)	59	403502	1	Front Guide (3150/38 I18)
	403726	1	Driver Blade (3200/50 I16P)		403851	1	Front Guide (3150/38 I16)
17	402725	1	Seal, Sleeve		403458	1	Front Guide (3200/50 I16P)
18	405245	1	Sleeve (3150/38 I16, I18)	60	404232	2	Socket Head Capscrew, #8-32 x 13/16"
	405246	1	Sleeve (3200/50 I16P)	61	404698	2	Roll Pin Assembly
*19	402728	1	"O" Ring, Sleeve	62	403503	1	Back Plate (3150/38 I18)
*20	402729	1	"O" Ring, Sleeve		403852	1	Back Plate (3150/38 I16)
21	403854	1	Retainer, Bumper		403459	1	Back Plate (3200/50 I16P)
*22	403853	1	Bumper	63	402730	1	Pivot Pin, Front Guide
23	403505	1	Seal, Driver Blade (3150/38 I18)	64	092176	1	Roll Pin, 5/32" Dia. x 1-3/8" Lg.
	402509	1	Seal, Driver Blade (3150/38 I16, 3200/50I16P)	65	405078	1	Spring, Front Guide Latch (3150/38 I16, I18)
*24	402707	1	Gasket, Cap		405079	1	Spring, Front Guide Latch (3200/50 I16P)
25	402701	1	Housing				(3200/50 I16P, I16PQ)
26	404939	2	Logo, Housing (All Models)	66	402789	1	Latch, Front Guide (3150/38 I16, I18)
→ 27	096893	1	Nameplate (3150/38 I16)		403206	1	Latch, Front Guide (3200/50 I16P)
	500694	1	Nameplate (3150/38 I18)	**67	500459	1	Warning Sign
	500693	1	Nameplate (3200/50 I16P)	68	402748	1	Pivoting Rail Cover Assembly (3150/38 I16, I18)
28	402708	1	Gasket, Flange				(3150/38 I16, I18)
29	402706	1	Flange		402780	1	Pivoting Rail Cover Assembly (3200/50 I16P)
▲ 30	009041	4	Socket Head Capscrew, 1/4-20 x 3/4"	69	403508	1	Rail and Rail Cover Assembly (3150/38 I16, I18)
31	405144	1	Trigger				(3150/38 I16, I18)
32	402079	1	Pin, Trigger		402518	1	Rail and Rail Cover Assembly (3200/50 I16P)
33	402668	1	Retaining Washer	70	402731	1	Logo, Rail
34	404054	1	Seal Main Valve	71	402740	2	Roll Pin, 3/32" Dia x 7/16" Lg.
*35	090927	1	"O" Ring	72	402798	1	Latch, Follower Button
*36	092775	1	"O" Ring	73	402799	1	Spring, Follower Latch
37	026133	2	Roll Pin, 1/8" Dia. x 1" Lg.	74	402797	1	Retaining Bushing
38	401958	1	Valve Body	75	091568	1	Pan Head Screw, #6-32 x 1/4"
*39	092174	1	"O" Ring, Valve Body	*76	091532	1	Negator
40	097746	1	Valve Pin	77	091534	1	Drum, Negator
41	097748	1	Spring, Valve Pin	78	402743	1	Pin, Negator Drum
42	091591	1	"O" Ring, End Plug	79	402516	1	Follower
				80	404325	1	Stop Nut, #8-32
				81	091447	4	Flat Washer
				82	404243	4	Spacer, Diffuser


\* Denotes normal wear items.

\*\* Make sure warning label (500459) is properly affixed. Replace if necessary. Label available at no charge through the Service Dept.

▲ Apply Loctite 242 (Blue) Part No. 093500

→ Denotes new change.

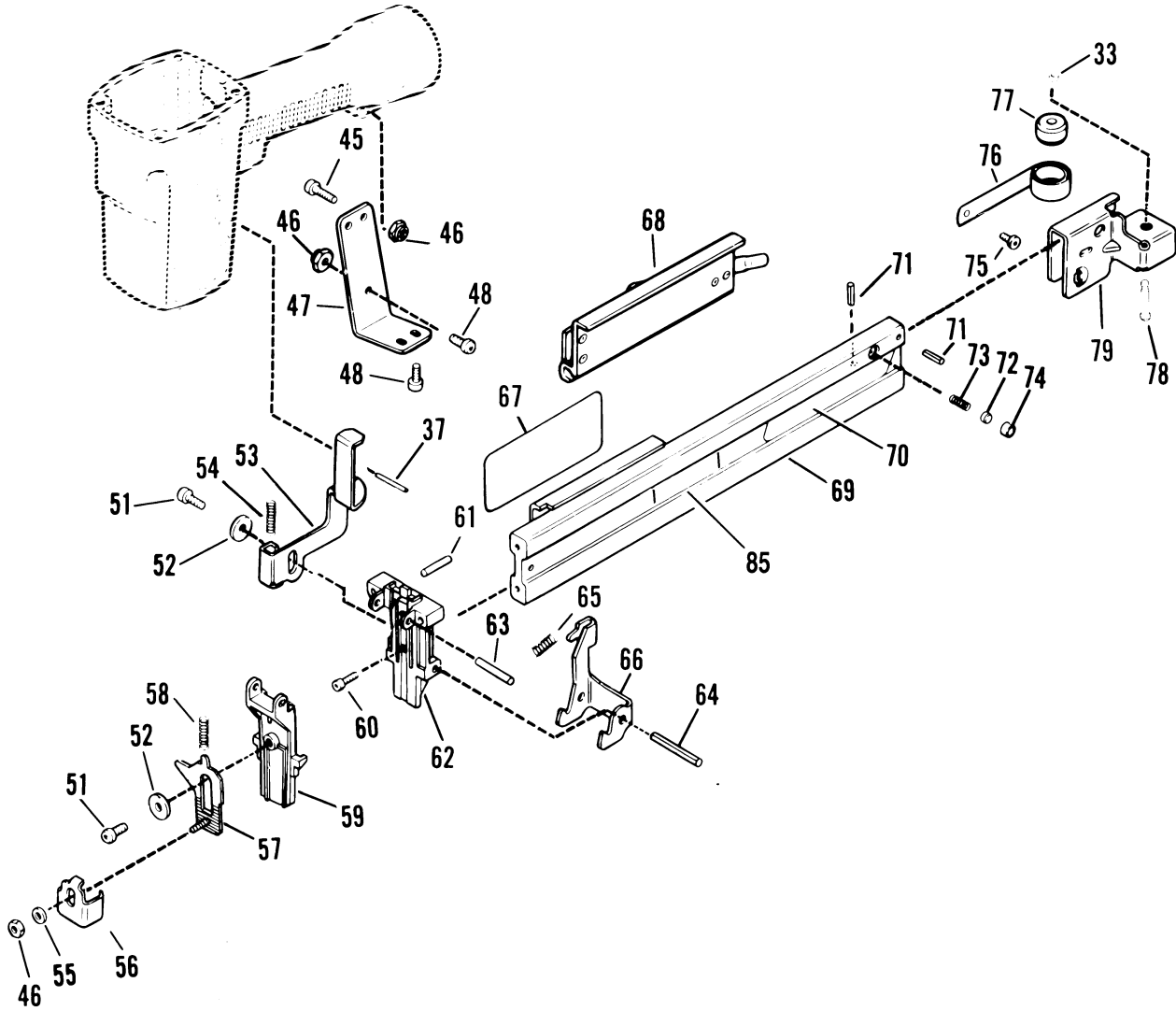



**WARNING**  
 All parts must be periodically inspected and replaced if worn or broken. Failure to do this can affect the tool's operation and present a safety hazard.

## PARTS LEGEND *Continued*

*76	091532	1	Negator	83	405147	1	Lever, Trigger
77	091534	1	Drum, Negator	84	005849	1	Roll Pin
78	402743	1	Pin, Negator Drum	85	405521	1	Fastener Label (3200/50 I16PQ)
79	402516	1	Follower		405522	1	Fastener Label (3150/38 I18Q)
80	404325	1	Stop Nut, #8-32	86	405243	1	Flange, Sleeve
81	091447	4	Flat Washer	87	500488	1	Grip Handle
82	404243	4	Spacer, Diffuser	88	091966	1	O-Ring

3150/38 I16  
 404023  
 3200/50 I16P  
 402999  
 3150/38 I18  
 404265  
 3200/50 I16PQ  
 404264 (EUROPE)  
 3150/38 I18Q  
 404265X (EUROPE)



Note: Key 69, Rail and Rail Cover Assembly is supplied with keys 67, 70, 72, 73 and 74 assembled.

## PARTS OFFERED AS ASSEMBLIES

### 403506 Piston Assembly (3150/38 I18)

### 404022 Piston Assembly (3150/38 I16)

### 402511 Piston Assembly (3200/50 I16)

**Includes**

13	402723	1	"O" Ring, Piston
14	403563	1	Piston
15	403582	1	Jam Nut
16	403725	1	Driver Blade (3150/38 I18)
	404021	1	Driver Blade (3150/38 I16)
	403726	1	Driver Blade (3200/50 I16P)

### 402709 Cap Assembly (3150/38 I16) (3150/38 I18)

**Includes**

4	006310	1	Socket Head Capscrew, #6-32 x 1/2"
6	402704	1	Cap
7	402717	1	Conical Spring
11	404055	1	Post, Main Valve
12	404256	1	"O" Ring, Main Valve Post
	404188	1	Main Valve Assembly

### 402710 Cap Assembly (3200/50 I16P)

**Includes**

4	006310	1	Socket Head Capscrew, #6-32 x 1/2"
6	402705	1	Cap
7	402717	1	Conical Spring
11	404055	1	Post, Main Valve
12	404256	1	"O" Ring, Main Valve Post
	404188	1	Main Valve Assembly

### 404188 Main Valve Assembly

**Includes**

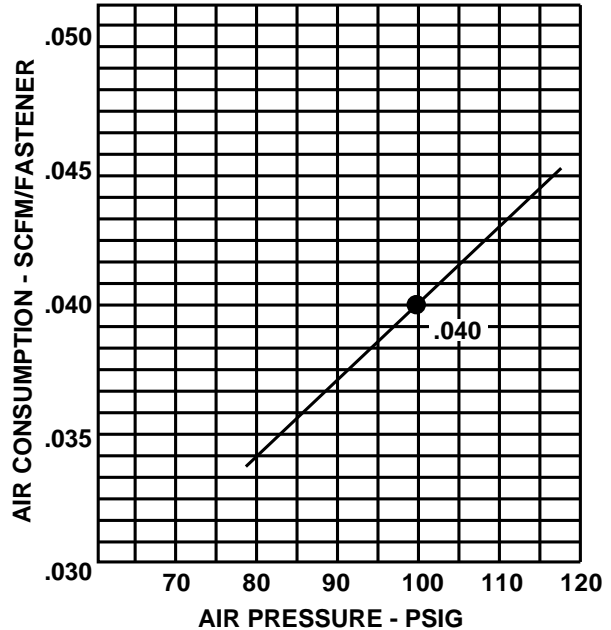
8	404230	1	Retaining Ring
*9	091537	1	"O" Ring, Upper Valve Piston
10	404122	1	Upper Valve Piston
34	404054	1	Seal, Main Valve
*35	090927	1	"O" Ring, Main Valve Assembly
*36	092775	1	"O" Ring, Main Valve Assembly
*49	092773	1	"O" Ring, Main Valve Assembly
50	404056	1	Lower Valve Piston

### 402408 Trigger Assembly

**Includes**

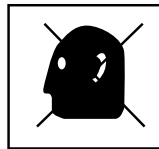
31	405144	1	Trigger
83	405147	1	Lever, Trigger
84	005849	1	Roll Pin

## AIR CONSUMPTION CHART



## SAFETY INSTRUCTIONS

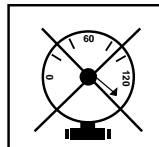
WEAR EYE AND HEARING PROTECTION



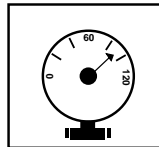
Always wear hearing protection and eye protection devices, including side shields when operating or working in the vicinity of a tool.



DO NOT EXCEED MAXIMUM  
RECOMMENDED AIR PRESSURE



Operate the tool using only the recommended air pressure. Do not exceed the maximum air pressure marked on the tool. Be sure the air pressure gauge is operating properly and check it at least twice a day.

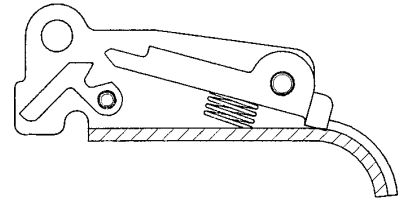


Never use any bottled air or gases such as oxygen to operate the tool since they could cause the tool to explode.

# ACCESSORIES

## Sequential Operating Kit

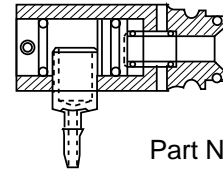
This special attachment is designed for sequential operation. The operator must depress and hold the work contacting element against the work surface before pulling the trigger. This sequence must be repeated each time the tool drives a fastener.



Part No. 406006

## Remote Fire Valve

This valve via a positive air signal allows a machine mounted tool to be operated from an automatic air valve or foot pedal system.



Part No. 1X0713

## Kit for No Sag Clip

This kit converts the 3150-I16, Part No. 404023, for the attachment of no sag clips onto furniture frames.  
Part No. 1X1204

## Lubricants and Loctite

Chemplex 710 Grease 1 lb.	Part No. 403734
Lubricating Oil 8 oz.	Part No. 219026
Lubricating Oil with Antifreeze	Part No. 219090
Loctite 242 (Blue) 1 oz.	Part No. 093500

## Degreaser Cleaner

Ideal Cleaner for all Paslode Tools  
Part No. 219086

## Belt Hook

Attaches to cap of tool enabling you to carry tool on belt holder  
Part No. 219017

## Belt Hook Holder

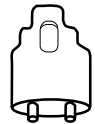
Attaches to work belt and carries tool using the above belt hook  
Part No. 219028

## Safety Glasses

Clear	Part No. 402510
Tinted	Part No. 402512

## Vinyl Siding Guide

Enables positive placement of staple leg in center of siding slot



3150 - Part No. 219050  
3200 - Part No. 219051

## Shortened Blade for Model 3150-I16 Tool

Intended for use with Kit for No Sag Clip, Part No. 1X1204 in applications where staple will also be applied directly over spring wire.

Part No. 1X1209

## Quick Exhaust Piston For Series 3000 Tools

Intended to help reduce fastener "stair stepping" in selected applications.

Part No. 1X1363

## Tool Repair Kit

Repairs all air leaks except for the trigger valve.

Part No. 219222

## Trigger Valve Repair Kit

Repairs all trigger valve air leaks.

Part No. 219224

