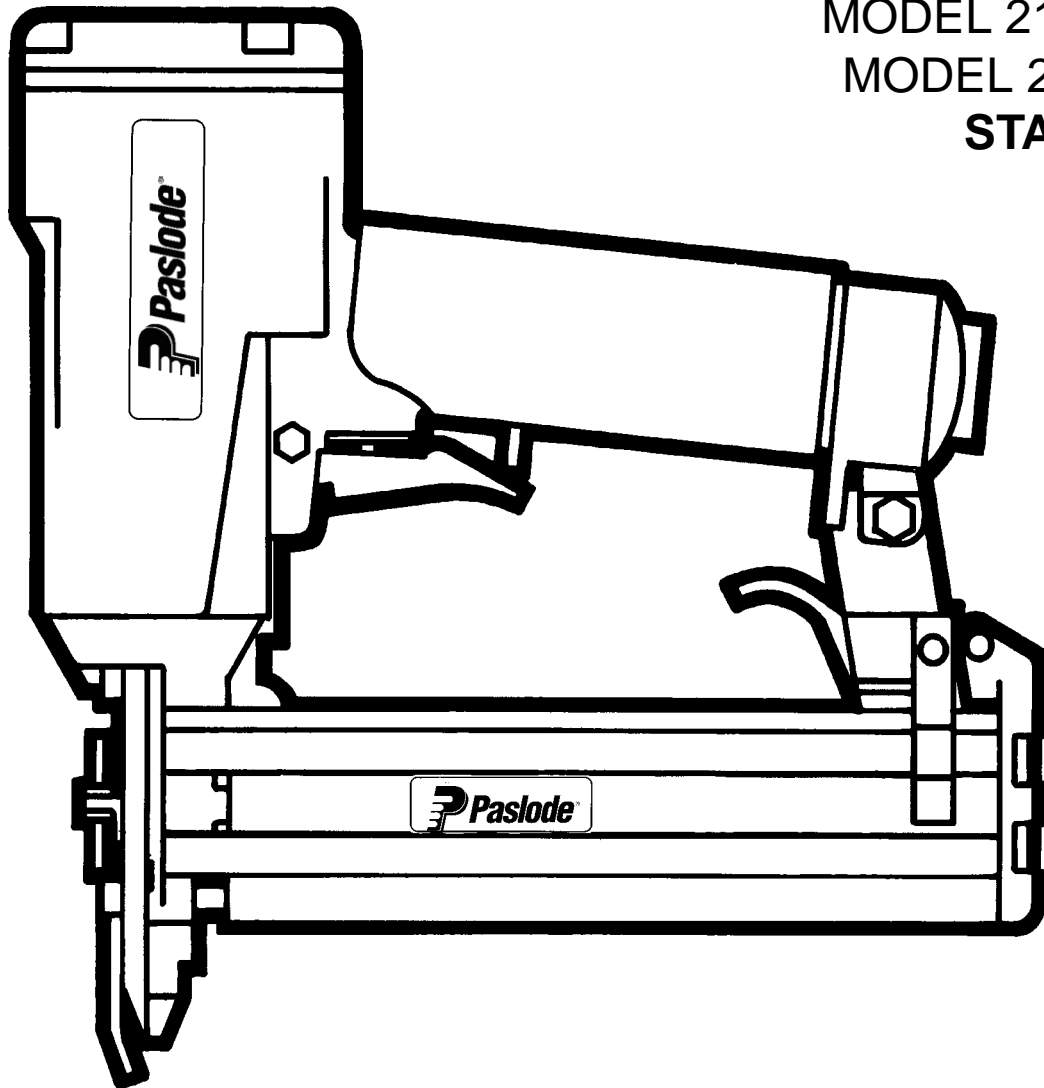




MODEL 2125-N18
MODEL 2125-I18
STAPLERS



TOOL SCHEMATIC AND PARTS

IMPORTANT!
DO NOT DESTROY

Always refer to operating manual #403606 for detailed information on this tool. It is the customer's responsibility to have all operators and service personnel read and understand this information.

PARTS LEGEND

MODEL 2125 - N18, 500182

MODEL 2125 - I18, 500183

1	004174	4	Socket Head Cap Screw, 10-24x7/8"	40	401958	1	Valve Body
2	004238	4	Washer, Split Lock 10	41	500288	1	Washer
3	500104	1	Cap	42	500289	1	Washer
4	500109	1	Bumper, Valve	43	404325	2	Nut, Stop, 8-32
*5	500106	1	Gasket, Cap	44	500400	1	Trigger Assembly
6	500105	1	Cap, Inner	45	500395	1	Handle Wrap, Service
7	500107	1	Gasket, Housing	46	500402	1	Magazine and Label Assembly
8	500110	1	Spring, Main Valve	47	500150	1	Back Plate (N18)
*9	097529	1	O-Ring, Valve, 111		500151	1	Back Plate (I18)
*10	401951	1	O-Ring, Valve, 126	48	500388	1	Nose Seal
11	500111	1	Valve, Main	▲49	500163	2	Screw, Shoulder, 1/4 x 1-1/4"
*12	500194	1	O-Ring, Valve, Urethane 217	50	500228	1	Housing Label
13	500195	1	Nut, Low Profile Lock, 1/4-28	51	500273	1	Front Plate (N18)
*14	092774	1	O-Ring, Piston 213		500275	1	Front Plate (I18)
15	500294	1	Piston	52	500406	1	Muffler
*16	500115	1	Driver Blade (N18)	53		1	Nameplate (N18) #500229-02
	500116	1	Driver Blade (I18)			1	Nameplate (I18) #500229-03
*17	091540	1	O-Ring, Return 130	54	500306	2	Spring, Quick Clear
18	500586	1	Sleeve	55	500157	1	Follower (N18)
*19	402723	1	O-Ring		500158	1	Follower (I18)
*20	500334	1	Bumper	56	500287	1	Rail and Shear Block Assembly (N18)
21	402079	1	Screw, Pan Head Shoulder		500286	1	Rail and Shear Block Assembly (I18)
22	500198	1	Spring, Work Contacting Element	57	500138	1	Bushing, Negator
▲23	015660	1	Button Head Cap Screw, 10-24 x 1/2"	58	500137	1	Spring, Negator
▲24	009397	4	Socket Head Cap Screw, 10-24 x 1/2"	59	500156	1	Bracket, Negator
25	402629	1	Washer, Hardened	60	071297	1	Roll Pin, 1/8 x 1-1/8"
26	500281	1	Upper Work Contacting Element	61	500270	1	Cover, Magazine
27	026133	1	Roll Pin	62	500279	1	Plate, Latch
28	500236	1	Screw, 8-32 x 1"	63	402668	1	Washer, Retaining
29	500125	1	Bushing, Work Contacting Element	64	402743	1	Pin
30	004958	2	Roll Pin, 1/8 x 7/8"	65	500293	1	Bracket, Stop
31	500117	1	Housing	66	091191	1	Locknut
32	500108	1	Gasket, End Cap	67	500280	1	Bracket, Magazine
33	500119	1	Sleeve, End	68	500295	1	Latch
*34	090927	1	O-Ring 117	69	500143	1	Spring, Latch
35	500118	1	End Plug	**70	500492	1	Warning Label
36	091622	1	Bushing, Reducing Pipe	71	008731	4	Socket Head Cap Screw, 10-24 x 3/4"
37	097748	1	Spring, Valve Pin	72	500587	1	Sleeve Insert
38	097746	1	Pin, Valve	73	092043	1	O-Ring
*39	092174	1	O-Ring, Valve Body	→74	500606	2	Housing Label

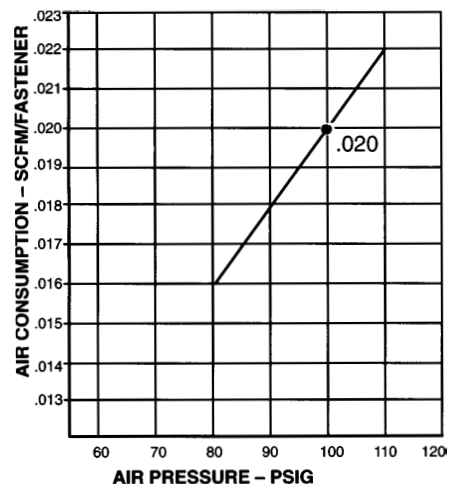
* Denotes Normal Wear Items

** Make sure Warning Label (500492) is properly affixed. Replace if necessary. Label available at no charge through the Service Department.

▲ Apply Loctite 242 (Blue) Part No. 093500.

→ Denotes New Change

AIR CONSUMPTION CHART

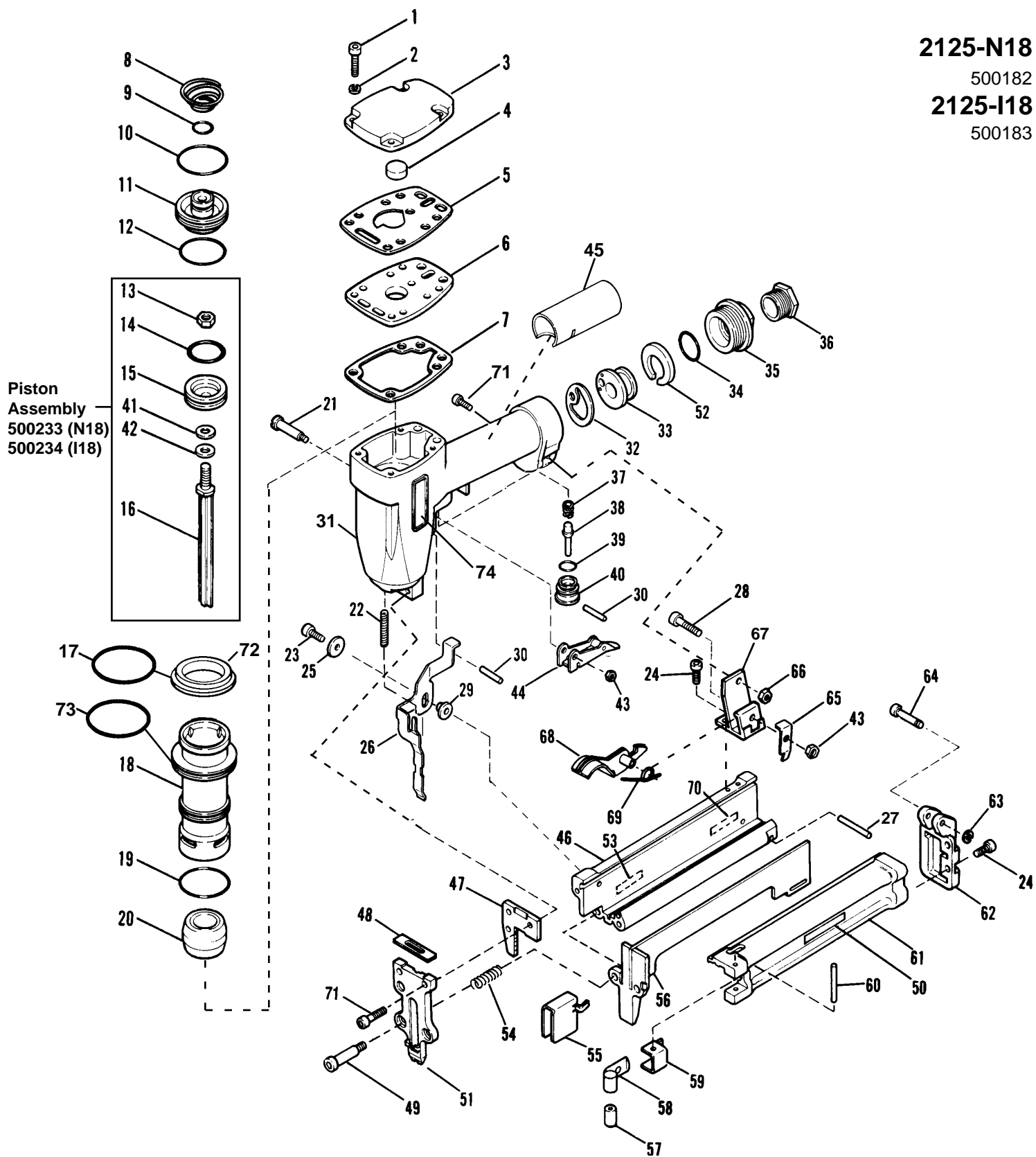


2125-N18

500182

2125-I18

500183



⚠ WARNING

All parts must be periodically inspected and replaced if worn or broken. Failure to do this can affect the tool's operation and present a safety hazard.

ACCESSORIES

Lubricants and Loctite

Chemplex 710 Lubricant 1 lb.	Part No. 403734
Chemplex 710 Lubricant 5 gram tube	Part No. 219188
Loctite 242 (Blue) 1 oz.	Part No. 093500
Lubricating Oil 8 oz.	Part No. 219026
Lubricating Oil with Antifreeze	Part No. 219090

Remote Fire Valve

This valve via an air signal allows the machine mounted tool to be operated from an automatic or foot pedal system.

Part No. 1X0713

Degreaser Cleaner

Ideal cleaner for all Paslode tools

Part No. 219086

Safety Glasses

Clear
Tinted

Part No. 402510
Part No. 402412

SAFETY INSTRUCTIONS

WEAR EYE AND HEARING PROTECTION

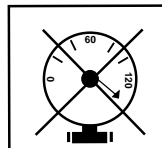


Always wear hearing protection and eye protection devices, including side shields when operating or working in the vicinity of a tool.

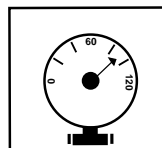


Never use any bottled air or gases such as oxygen to operate the tool since they could cause the tool to explode.

DO NOT EXCEED MAXIMUM RECOMMENDED AIR PRESSURE



Operate the tool using only the recommended air pressure. Do not exceed the maximum air pressure marked on the tool. Be sure the air pressure gauge is operating properly and check it at least twice a day.



An Illinois Tool Works Company
888 Forest Edge Drive
Vernon Hills, Illinois 60061-3503