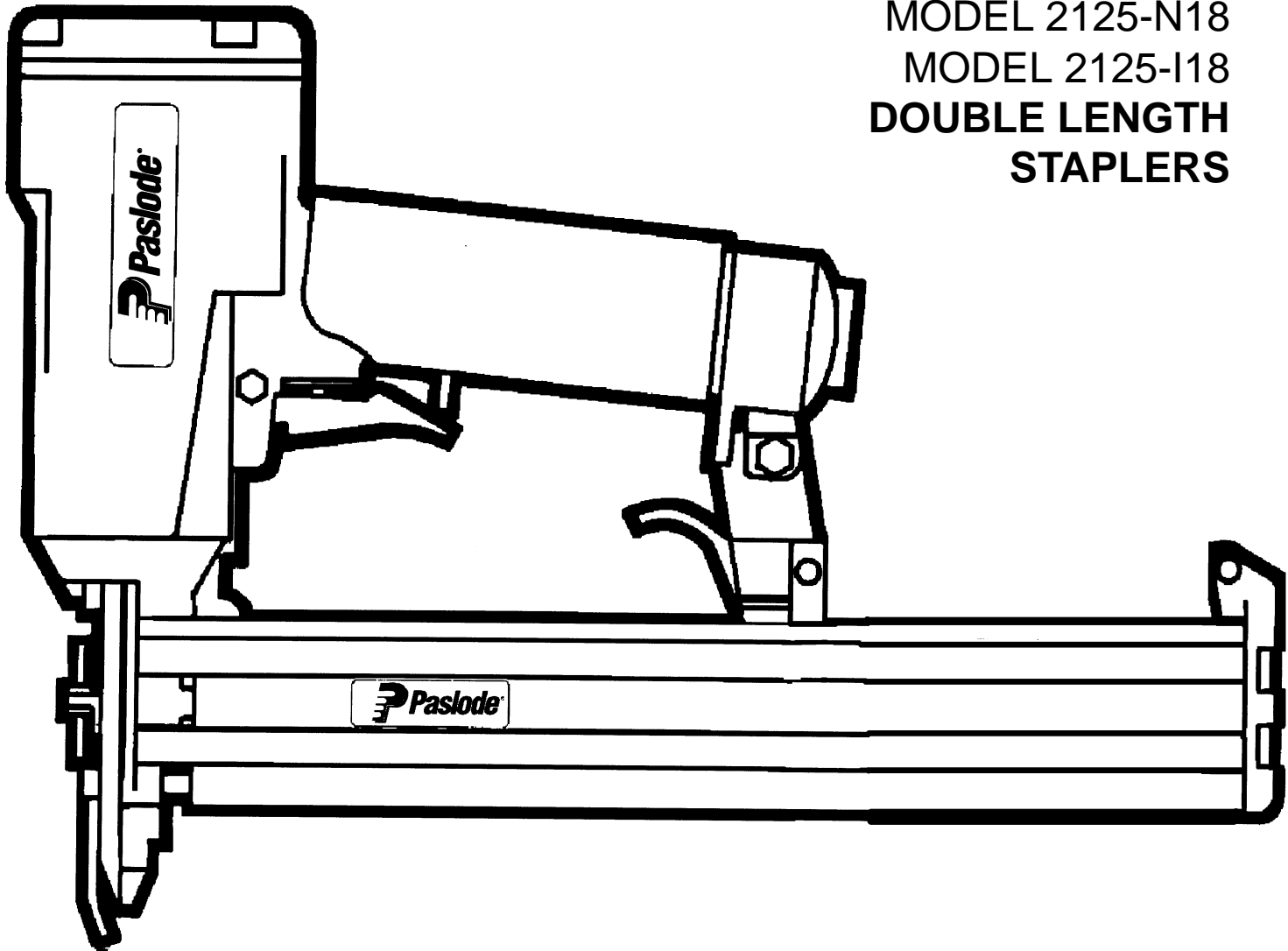




MODEL 2125-N18
MODEL 2125-I18
**DOUBLE LENGTH
STAPLERS**



TOOL SCHEMATIC AND PARTS

**IMPORTANT!
DO NOT DESTROY**

Always refer to operating manual #403606 for detailed information on this tool. It is the customer's responsibility to have all operators and service personnel read and understand this information.

PARTS LEGEND

MODEL 2125 - N18 DL, 500221

MODEL 2125 - I18 DL, 500222

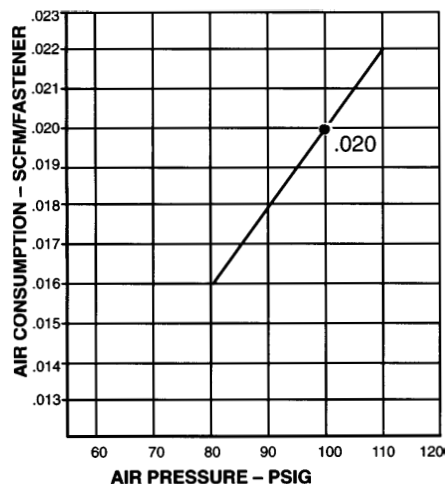
1	004174	4	Socket Head Cap Screw, 10-24x7/8"	38	097746	1	Pin, Valve
2	004238	4	Washer, Split Lock 10	*39	092174	1	O-Ring, Valve Body
3	500104	1	Cap	40	401958	1	Valve Body
4	500109	1	Bumper, Valve	41	500288	1	Washer
*5	500106	1	Gasket, Cap	42	500289	1	Washer
6	500105	1	Cap, Inner	43	404325	2	Nut, Stop, 8-32
7	500107	1	Gasket, Housing	44	500400	1	Trigger Assembly
8	500110	1	Spring, Main Valve	45	500395	1	Handle Wrap, Service
*9	097529	1	O-Ring, Valve, 111	46	500619	1	Magazine w/ Label
*10	401951	1	O-Ring, Valve, 126	47	500150	1	Back Plate (N18)
11	500111	1	Valve, Main		500151	1	Back Plate (I18)
*12	500194	1	O-Ring, Valve, Urethane 217	48	500388	1	Nose Seal
13	500195	1	Nut, Low Profile Lock, 1/4-28	▲49	500163	2	Screw, Shoulder, 1/4 x 1-1/4"
*14	092774	1	O-Ring, Piston 213	→50	500606	2	Housing Label
15	500294	1	Piston	51	500273	1	Front Plate (N18)
*16	500115	1	Driver Blade (N18)		500275	1	Front Plate (I18)
	500116	1	Driver Blade (I18)	52	500406	1	Muffler
*17	091540	1	O-Ring, Return 130	53		1	Nameplate (N18) #500229-02
18	500112	1	Sleeve			1	Nameplate (I18) #500229-03
*19	402723	1	O-Ring	54	500306	2	Spring, Quick Clear
*20	500334	1	Bumper	55	500157	1	Follower (N18)
21	402079	1	Screw, Pan Head Shoulder		500158	1	Follower (I18)
22	500198	1	Spring, Work Contacting Element	56	500394	1	Rail and Shear Block Assembly (N18)
▲23	015660	1	Button Head Cap Screw, 10-24 x1/2"		500411	1	Rail and Shear Block Assembly (I18)
▲24	009397	6	Socket Head Cap Screw, 10-24 x1/2"	57	500138	1	Bushing, Negator
25	402629	1	Washer, Hardened	58	500137	1	Spring, Negator
26	500281	1	Upper Work Contacting Element	59	500156	1	Bracket, Negator
27	026133	1	Roll Pin	60	071297	1	Roll Pin, 1/8 x 1-1/8"
28	500236	1	Screw, 8-32 x 1"	61	500270	1	Cover, Magazine
29	500125	1	Bushing, Work Contacting Element	62	500279	1	Plate, Latch
30	004958	2	Roll Pin, 1/8 x 7/8"	63	402668	1	Washer, Retaining
31	500117	1	Housing	64	402743	1	Pin
32	500108	1	Gasket, End Cap	65	500293	1	Bracket, Stop
33	500119	1	Sleeve, End	66	091191	1	Locknut
*34	090927	1	O-Ring 117	→67	500213	1	Bracket, Magazine
35	500118	1	End Plug	68	500295	1	Latch
36	091622	1	Bushing, Reducing Pipe	69	500143	1	Spring, Latch
37	097748	1	Spring, Valve Pin	**70	500492	1	Warning Label
				71	008731	4	Socket Head Cap Screw, 10-24 x 3/4"
				→72	500214	1	Rear Bracket

* Denotes Normal Wear Items

** Make sure Warning Label (500492) is properly affixed. Replace if necessary. Label available at no charge through the Service Department.

▲ Apply Loctite 242 (Blue) Part No. 093500.

AIR CONSUMPTION CHART

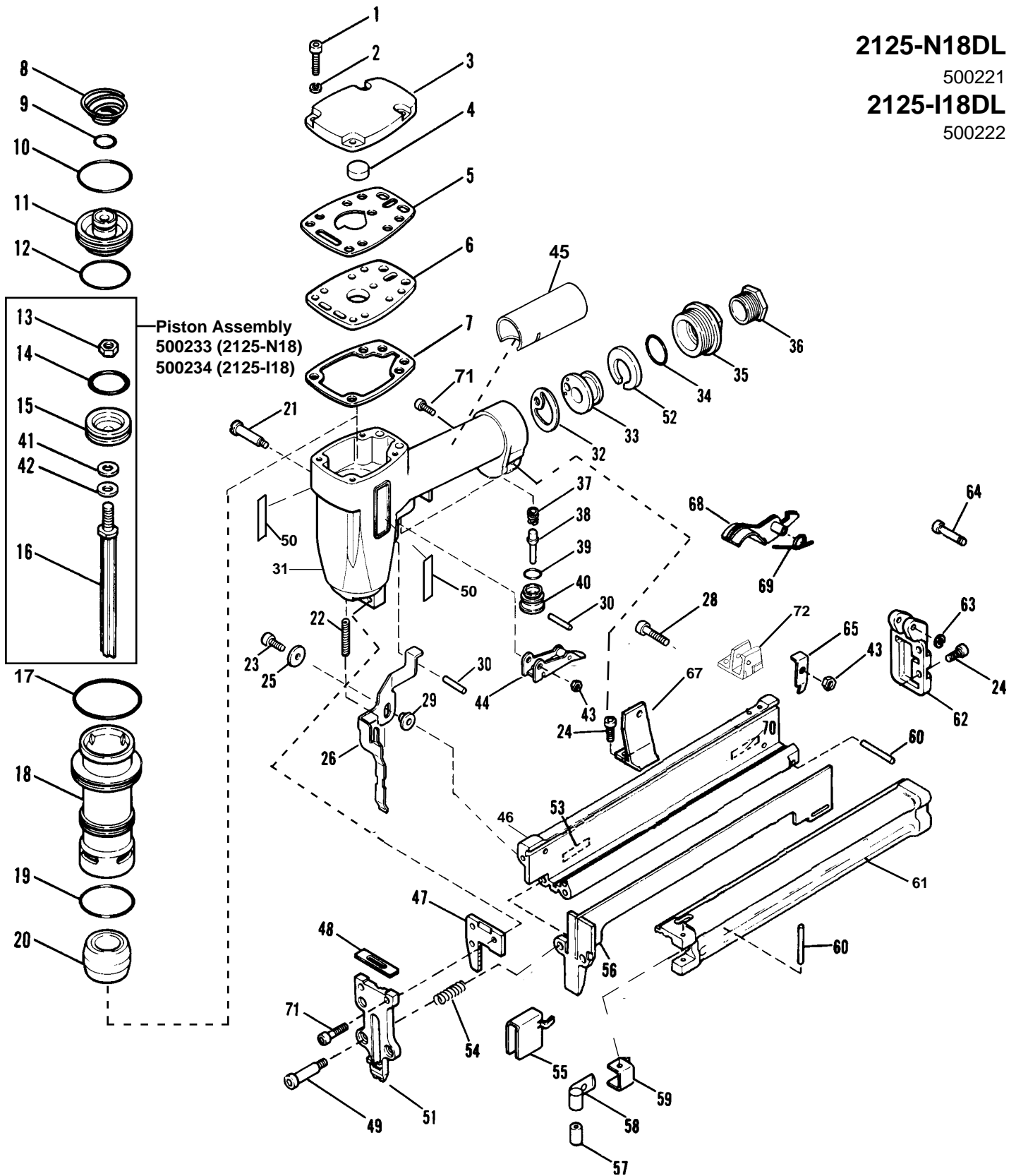


2125-N18DL

500221

2125-I18DL

500222



⚠ WARNING

All parts must be periodically inspected and replaced if worn or broken. Failure to do this can affect the tool's operation and present a safety hazard.

ACCESSORIES

Lubricants and Loctite

Chemplex 710 Lubricant 1 lb.

Chemplex 710 Lubricant 5 gram tube

Loctite 242 (Blue) 1 oz.

Lubricating Oil 8 oz.

Lubricating Oil with Antifreeze

Part No. 403734

Part No. 219188

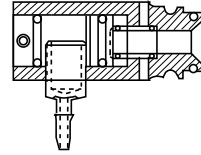
Part No. 093500

Part No. 219026

Part No. 219090

Remote Fire Valve

This valve via an air signal allows the machine mounted tool to be operated from an automatic or foot pedal system.



Part No. 1X0713

Degreaser Cleaner

Ideal cleaner for all Paslode tools

Part No. 219086

Safety Glasses

Clear

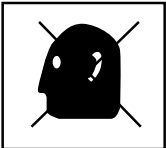
Tinted

Part No. 402510

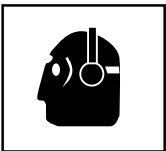
Part No. 402412

SAFETY INSTRUCTIONS

WEAR EYE AND HEARING PROTECTION

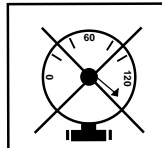


Always wear hearing protection and eye protection devices, including side shields when operating or working in the vicinity of a tool.

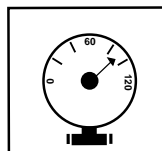


Never use any bottled air or gases such as oxygen to operate the tool since they could cause the tool to explode.

DO NOT EXCEED MAXIMUM RECOMMENDED AIR PRESSURE



Operate the tool using only the recommended air pressure. Do not exceed the maximum air pressure marked on the tool. Be sure the air pressure gauge is operating properly and check it at least twice a day.



An Illinois Tool Works Company
888 Forest Edge Drive
Vernon Hills, Illinois 60061