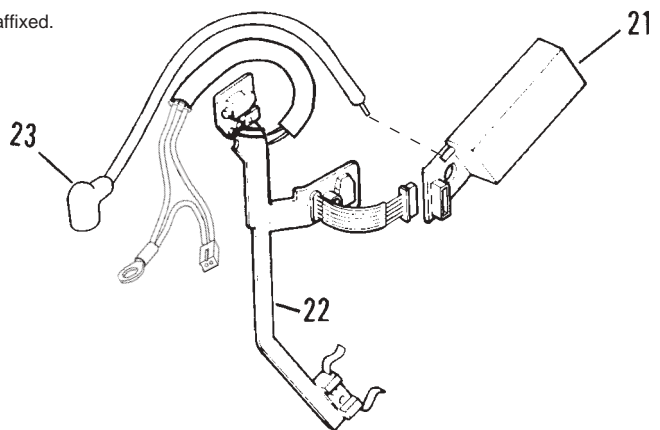


PARTS LEGEND

900420

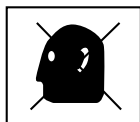
1	900320	1	Grill	51	404827	2	Pin
*2	900315	1	Filter	*52	404419	1	Bumper
3	900469	1	Fan Motor Assembly (Includes PC board, washer and flat retaining ring)	53	404411	3	Spring
4	900300	1	Retaining Ring (flat)	54	900934	2	Steel Ring, Sleeve
6	900470	1	Motor Mount	55	901204	1	Sleeve Assembly
7	401355	1	Retaining Ring (curved)	56	404464	2	Rubber Stop
8	901063	4	Shoulder Screw 10-24 x 1-1/2	57	404424	1	Reed Valve
*10	401356	1	Motor Sleeve	58	404422	1	Muffler
11	900286	1	Spark Plug Assembly, includes O-Ring	59	404423	1	Muffler Cover
12	404428	2	Push Rod	61	900596	6	Screw Thread Forming Sems 8-32 x 7/16
13	404453	1	Bracket, Cylinder Head	62	403816	2	Socket Head Capscrew 10-24 x 1-1/8
14	404432	1	Bushing, Actuator	63	404445	2	Bushing, Shear Lock
15	404444	1	Actuator	64	900975	1	Wear Plate, Nose
16	404433	1	Actuator Pin	65	404410	1	Upper Probe
17	401340	1	Stem Adapter	66	900982	1	Lower Probe
18	900471	1	Cylinder Head Machined	67	900592	2	S.H.C.S. Sems 10-32 x 1/2
*19	403992	1	O-Ring	68	401380	1	Tie Bar
20	403167	1	Fan Blade Assembly	70	404704	1	Housing Assembly
21	900474	1	Spark Unit Assembly	71	900289	1	Belt Hook
22	900475	1	Molded Circuit Assembly	72	404390	2	Label
23	900478	1	Spark Plug Contact Assembly	73	900980	1	Retainer Ring, Sleeve
24	900231	1	Clip, ESU Wire	▲ 74	900593	3	S.H.C.S. Sems 10-24 x 5/8
■ 25	403987	2	Screw Thread Forming 6-32 x 1/4	75	403985	1	Follower
26	900461	1	Handle Assembly Kit - Right & Left	76	900520	1	Follower Bushing Spring Assembly
27	404448	1	Roller Lever Assembly	77	901202	1	Retaining Ring
29	404702	2	Screw Thread Forming 6 x 3/8	78	403986	1	Spring Pin
30	404436	1	Nail Channel	79	403984	1	Follower Guide
31	404441	1	Cover Plate Magazine	80	900297	1	Follower Button
32	901222	2	Shoulder Screw 10-32 x 1/2	81	404457	1	Spring
33	900465	1	Cap	82	404922	2	Pad, Battery Contact
34	404412	1	Wear Plate, Chamber Lock	83	401450	5	Fuel Cell Pad
35	900453	4	Screw Plastite 8-16 x 7/8	85	900983	1	Cage Stop
** 36	900508	1	Warning Label	86	404426	1	Exhaust Baffle
37	404442	1	Channel Magazine	87	404425	1	Reed Plate
■ 38	900594	4	S.H.C.S. Sems 8 - 32 x 1/2	■ 88	900969	4	Torx Screw 8-32 x 5/8
40	404451	1	Lockout Bar, Follower	89	900481	1	O-Ring
41	901203	1	Shear Block	**90	900497	1	Warning Label
44	404435	1	Trigger	91	900372	1	Combustion Chamber Ring
45	900269	1	Chamber Lock Bar	92	404407	1	Combustion Chamber
46	404927	1	Spring, Trigger	93	900595	2	Torx Screw Sems 8-32 x 3/8
47	401328	1	Retainer ring	95	901260	1	Nameplate
48	401461	2	Piston Ring	96	900427	1	Light Pipe
49	404485	1	Piston Assembly	97	900468	1	Washer, Motor Shaft
50	900521	1	Combustion Chamber Assembly	99	900546	1	Brass Insert
				100	900597	4	Screw Thread Forming Sems 6-19 x 3/8

- * Denotes normal wear items
- ** Make sure Warning Labels (#900497,900508) are properly affixed. Replace if necessary. Label is available at no charge through the Service Department.
- ▲ Apply Loctite 242 (Blue) Part No. 093500.
- Apply Loctite RC-620 (Green) Part No. 401491
- Denotes new change.

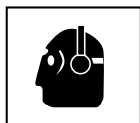


SAFETY INSTRUCTIONS

WEAR EYE AND HEARING PROTECTION



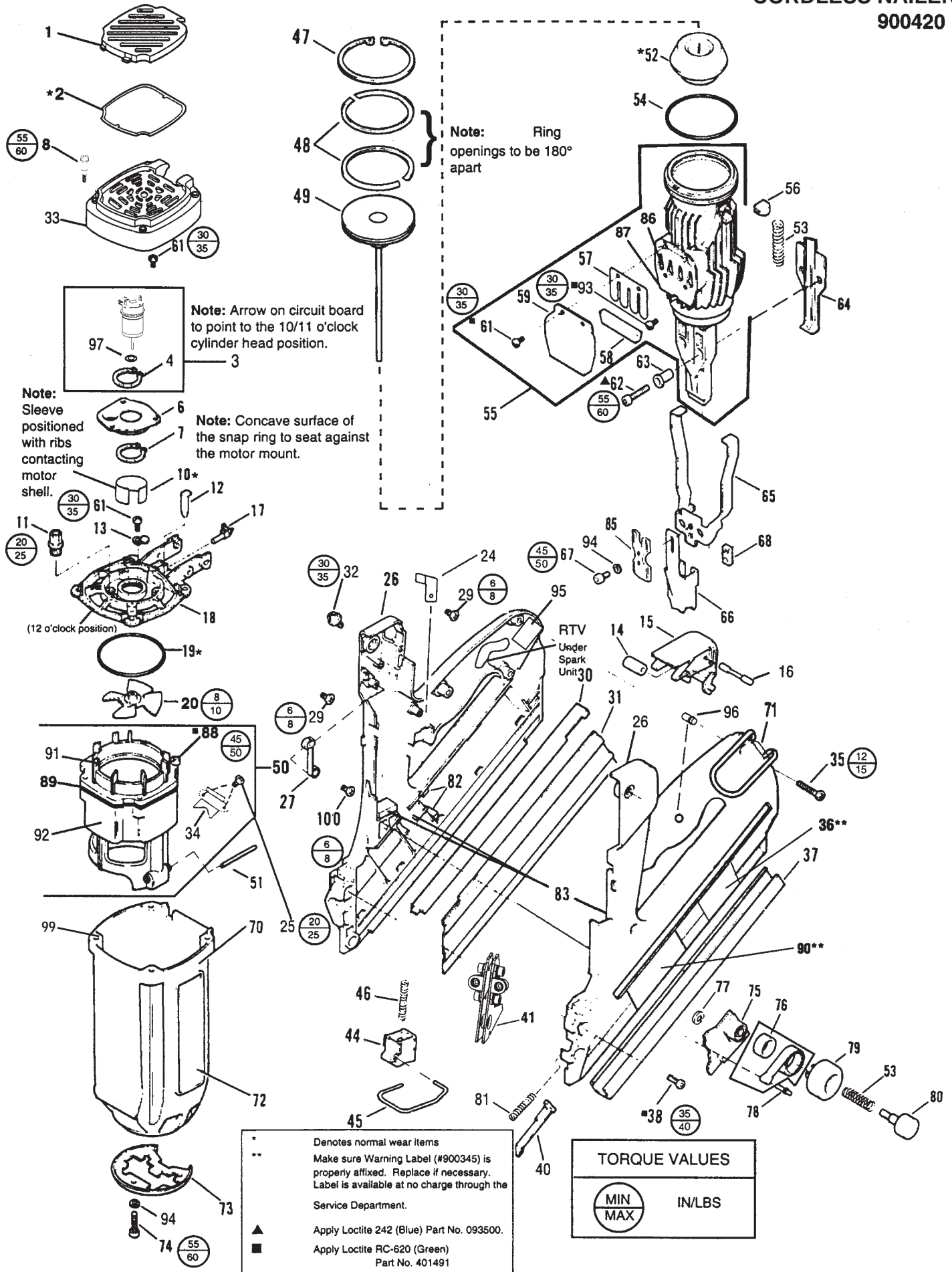
Always wear hearing protection and eye protection devices, including side shields when operating or working in the vicinity of a tool.



▲ WARNING

All parts must be periodically inspected and replaced if worn or broken. Failure to do this can affect the tool's operation and present a safety hazard.

CORDLESS NAILER, 900420



* Denotes normal wear items
 ** Make sure Warning Label (#900345) is properly affixed. Replace if necessary. Label is available at no charge through the Service Department.

▲ Apply Loctite 242 (Blue) Part No. 093500.
 ■ Apply Loctite RC-620 (Green) Part No. 401491

TORQUE VALUES	
MIN	IN/LBS
MAX	