

**16 GAUGE STRAIGHT
FINISH NAILER**



IM65 F16

**IMPORTANT!
DO NOT DESTROY**

Always refer to operating and safety instructions (#013395 & #013207) for detailed information on this tool. It is the customer's responsibility to have all operators and service personnel read and understand this information.

TOOL SCHEMATIC AND PARTS

PARTS LEGEND

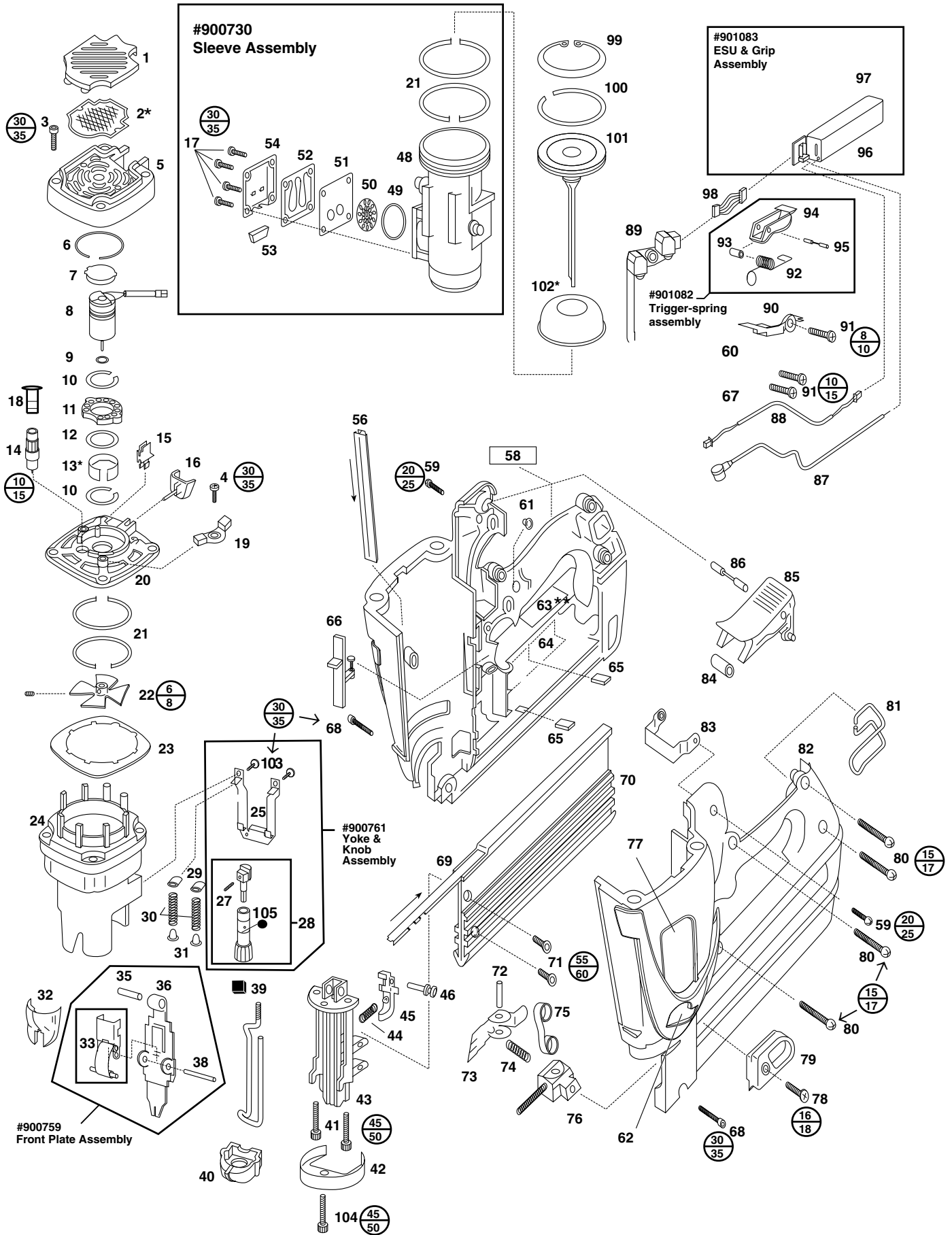
IM65 F16

Part No. 013320 (EU), 013321 (UK)

1	013715	1	Grill black	53	900609	1	Muffler
*2	900648	1	Filter	54	900668	1	Muffler Cover
3	901064	4	Shoulder Screw 8-32 x 1-3/8"	56	900620	1	Front Channel Extrusion
4	900596	1	Screw, Sems 8-32 x 7/16"	58	013712	1	Nameplate
5	902011	1	Cap black	59	900598	2	Sems Screw 10-32 x 5/16"
6	900649	1	Retaining Ring	60	900312	1	Contact, Positive
7	900716	1	Cover/Tension Reliever	61	404385	1	Light Pipe
8	900524	1	Fan Motor Assembly	62	013714	2	P Handle Label
9	900468	1	Washer, Motor Shaft	63	013671	1	Warning Label Top
10	900647	2	Retaining Ring	64	013672	1	Warning Label Bottom
11	900624	1	Motor Mount Assembly	65	404922	2	Battery Contact Pad
12	900646	1	Wave Washer	66	900726	1	Slide Switch Assembly
*13	401356	1	Motor Sleeve	67	900311	1	Contact, Negative
14	900714	1	Spark Plug Assembly	68	900792	2	Shoulder Screw 8-32 x 15/32"
15	900674	1	Wire Clip	69	902007	1	Brad Channel
16	900697	1	Stem Adapter	70	902003	1	Magazine Extrusion
17	405140	4	Screw 8-32 x 3/8" (red)	71	900660	2	Screw 10-32 x 3/8"
18	900785	1	Insulator	72	900722	1	Follower Pin
19	900739	1	Cylinder Head Circuit	73	902002	1	Follower
			Board Assembly	74	900691	1	Compression Spring
20	900605	1	Cylinder Head	75	900627	1	Negator Spring
21	900612	4	Seal Ring	76	900720	1	Follower Core
22	900709	1	Fan Assembly	77	013708	2	Housing Label
23	900700	1	Air Dam	78	900724	1	Screw Plastite 8-16 x 5/8"
24	900729	1	Combustion Chamber	79	902008	1	Follower Body
			Assembly	80	901066	4	Screw Plastite 8-16 x 3/4"
25	900704	1	Yoke	81	900289	1	Belt Hook
27	900734	1	Roll Pin	82	013702	2	Handles assembly
28	900727	1	Knob w/ Yoke Guide Assembly	83	900703	1	Handle Bracket
29	900707	2	Probe Bumper	84	900755	1	Bushing Actuator
30	900671	2	Spring, Combustion Chamber	85	900788	1	Actuator
31	900706	2	Spring Guide	86	404433	1	Pin Actuator
32	013706	1	Latch Cover Quick black	87	900765	1	Spark Plug Wire Assembly
33	900786	1	Quick Clear Lever Assembly	88	900663	1	Fan Wire Assembly
35	900619	1	Dowel Pin	89	901050	1	Molded Circuit Assembly
36	900684	1	Front Plate	90	900629	1	High Tension Clip
38	900685	1	Latch Cover Pin	91	404702	3	Screw 6-32 x 3/8"
□ 39	900686	1	Probe	92	901053	1	Trigger Spring
40	900702	1	Probe Tip	94	901045	1	Trigger with Pad
41	900708	2	S.H.C.S. 8-32 x 1/2" (red)	95	901047	1	Trigger Pin
42	900692	1	Retaining Cup	96	900672	1	Electronic Spark Unit
43	902001	1	Nose	97	901044	1	Soft Grip
44	900631	1	Spring	98	900662	1	ESU Power Wire Assembly
45	900602	1	Lockout Bar	99	403099	1	Retaining Ring
46	900630	1	Lockout Pin	100	403098	1	Piston Ring
48	900730	1	Sleeve Assembly	101	900728	1	Piston Assembly
49	900616	1	O-Ring	*102	900680	1	Piston Bumper
50	901089	1	Exhaust Baffle	103	900746	2	Screw 8-32 x 7/16"
51	900665	1	Reed Plate	104	900754	1	Screw 8-32 x 1/2" (yellow)
52	900664	1	Reed Valve	105	900645	1	Ball, knob

* Denotes Wear Items

□ Apply Grease Part No. 900767 to threads.



TORQUE VALUES	
MIN	IN.LBS
MAX	

ACCESSORIES

Car Adapter

Enables you to re-charge your battery with your vehicle's electrical system.



Part No. 900507

Battery Cell



Part No. 404717

Battery Charger Kit

(Replacement Charger Base Only Part No. 035460)
(Replacement Transformer Only Part EU No. 900505;
Part UK No. 900506; Part US/Canada No. 900477;
Part Australia No. 900504)



Part No. 900200

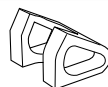
No-Mar Tip - 3 Pk.

Contains 3 of #900702 tips



Part No. 219236

Special Panelling No-Mar Tip



Part No. 012027

9/64" Hex Key

For cleaning tool.



Part No. 900736

Orange Safety Glasses



Part No. 011117

Paslode Intensive Tool Cleaner 300 ml



Part No. 115521

Paslode Impulse Lubricating Oil



Part No. 401482

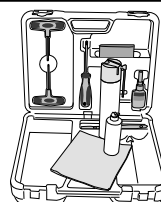
Carrying Case



Part No. 013301

Cleaning Kit

Contains all the necessary to clean any Impulse tool



Part No. 013060



An Illinois Tool Works Company
Route de Lyon - BP 104
F - 26501 Bourg Les Valence - Cedex France