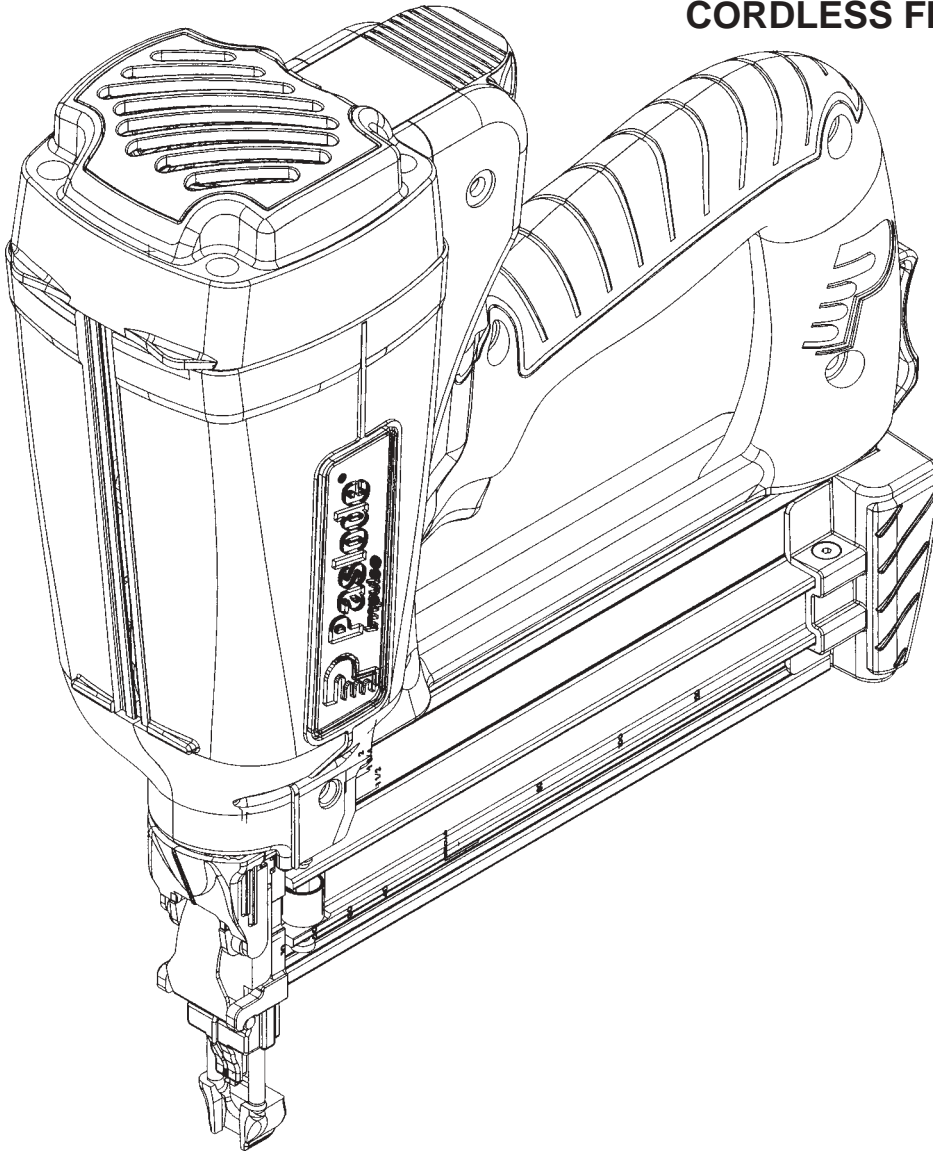




Model: IM200 F18  
Part No. 901000  
Cordless 18 Gauge Finish Nailer

## MODEL IM200 F-18 CORDLESS FINISH NAILER



### TOOL SCHEMATIC AND PARTS

**IMPORTANT!  
DO NOT DESTROY**

Always refer to operators manual #405606 for detailed information on this tool. It is the customers responsibility to have all operators and service personnel read and understand this information.

# PARTS LEGEND

IM200 F-18 , 901000

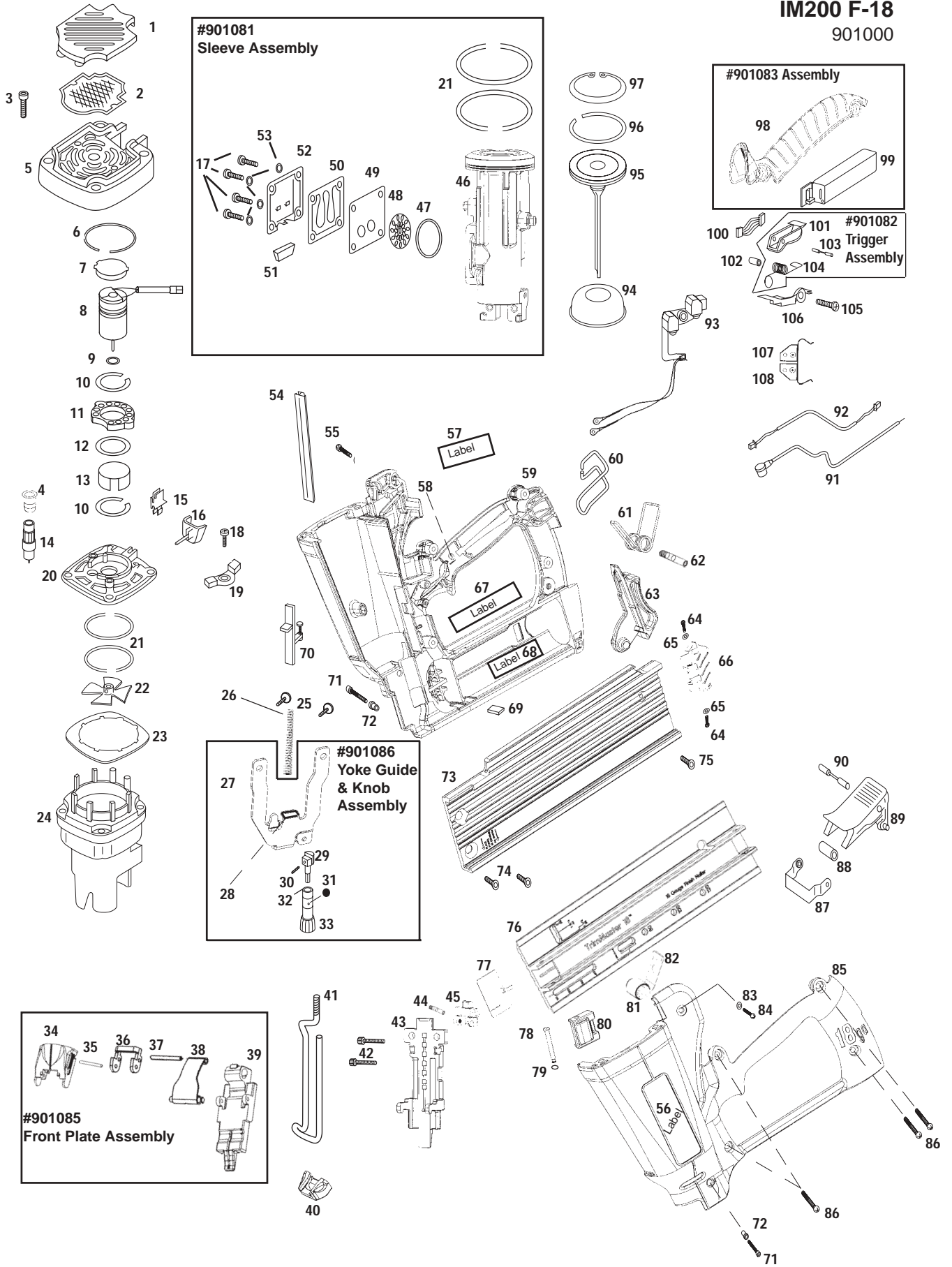
1	900640	1	Grill	54	901059	1	Front Channel
2	900648	1	Filter	55	900598	2	Screw 10-32 x 5/16" (red)
3	901064	4	S.H.C.S. 8-32 x 1-3/8"	→56	901057	2	Housing Label
5	900639	1	Cap	57	901060	1	Model Label
6	900649	1	Retaining Ring	58	404385	1	Light Pipe
7	900716	1	Cover/Tension Reliever	59	901079	1	Handle Right Side
8	900524	1	Fan Motor Assembly	60	900289	1	Belt Hook
9	900468	1	Washer, Motor Shaft	61	901019	1	Torsion Spring Magazine Latch
10	900647	1	Retaining Ring	62	900353	1	Pivot Pin
11	900624	1	Motor Mount Assembly	63	901014	1	Magazine Latch Release
12	900646	1	Wave Washer	64	901061	2	Screw 6-32 x 3/16 BH
13	401356	1	Motor Sleeve	65	901072	2	Washer
14	900714	1	Spark Plug Assembly	66	901013	1	Magazine End Cap
15	900674	1	Wire Clip	**67	900496	1	Warning Label
16	900697	1	Stem Adapter	68	900508	1	International Label
17	405141	4	Screw 8-32 x 7/16" (red)	69	404922	2	Battery Contact Pad
18	900596	1	Screw, Sem 8-32 x 7/16"	70	901095	1	Switch Side Assembly
19	900739	1	Cylinder Head Circuit Board Assembly	71	900754	2	Screw 8-32 x 1/2" (yellow)
20	900605	1	Cylinder Head	72	901032	2	Bushing, Handle
21	900612	4	Seal Ring	73	901084	1	Mag.Base/Wear Strip Assembly
22	900709	1	Fan Assembly	■74	900660	2	Screw 10-32 x 3/8"
23	900700	1	Air Dam	75	901062	1	Screw 6-32 x 1/8"
24	900729	1	Combustion Chamber Assembly	76	901012	1	Magazine Cover
25	900746	2	Screw 8-32 x 7/16 phtx	77	901015	1	Follower
26	901038	1	Spring	78	901018	1	Magazine Pin
27	901037	1	Yoke	79	901055	1	O-ring
28	901039	1	Yoke Support	80	901052	1	Spring Cover
29	901029	1	Yoke Guide	81	901016	1	Constant Force Spring
30	900734	1	Roll Pin	82	901017	1	Spool Spring
31	900645	1	Ball, Knob	83	900748	1	Washer
32	900361	1	Retaining Clip	84	900735	1	Screw
33	900727	1	Knob Assembly	85	901080	1	Handle Left Side
34	901009	1	Latch Cover Quick Clear	86	901066	4	Screw- Plastite
35	900685	1	Spring Pin	87	900703	1	Handle Bracket
36	901005	1	Latch Clip	88	900755	1	Bushing Actuator
37	901049	1	Spring Pin	89	900788	1	Actuator Assembly
38	901006	1	Spring Clip Assembly	90	404433	1	Pin Actuator
39	901002	1	Front Plate	91	900765	1	Spark Plug Wire Assembly
40	901048	1	Probe Tip	92	900663	1	Fan Wire Assembly
41	901007	1	Probe	93	901050	1	Molded Circuit Assembly
42	901026	2	Screw 10-24 x .75	94	901021	1	Piston Bumper
43	901003	1	Back Plate	95	901078	1	Piston Assembly
44	901025	1	Support Pin	96	901040	1	Piston Ring
45	901004	1	Front Plate Support	97	403099	1	Retaining Ring
46	901081	1	Sleeve Assembly	98	901044	1	Soft Grip
47	900616	1	O-Ring	99	900672	1	Electronic Spark Unit
48	900613	1	Exhaust Baffle	100	900662	1	ESU Power Wire Assembly
49	900665	1	Reed Plate	101	901045	1	Trigger
50	900664	1	Reed Valve	102	900608	1	Trigger Spring Bushing
51	900609	1	Muffler	103	901047	1	Trigger Pin
52	900668	1	Muffler Cover	104	901053	1	Trigger Spring
53	404468	4	Washer	105	404702	3	Screw 6-32 x 3/8"
				106	900629	1	HighTension Clip
				107	900311	1	Contact Positive
				108	900312	1	Contact Negative

■ Apply Loctite RC-620 (Green) Part No.401491

\*\* Make sure Warning Label (900496) is properly affixed replace if necessary. Label is available at no charge through the Service Dept.

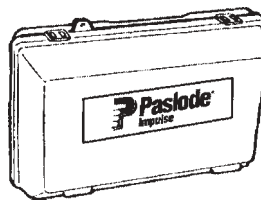
→ Denotes Change

**IM200 F-18**  
901000



# ACCESSORIES

**Cordless Nailer Case**



Part No. 901058

**Battery Cell**



Part No. 404717

**Impulse Oil**

Part No. 401482

**Torx Key - T7**

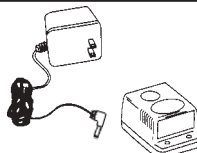
For tightening fan blade to motor

Part No. 900183

**Battery Charger Kit**

(Replacement Charger Base only Part No. 900476)

(Replacement Transformer Only Part No. 900477)



Part No. 900200

**Clear Safety Glasses**

Part No. 402510

**Tinted Safety Glasses**

Part No. 402512



**Degreaser Cleaner**

Ideal cleaner for all Paslode tools

Part No. 219086

**Service Tool Kit**

A 19 piece tool kit containing all the necessary tools to repair any Impulse tool.

Part No. 401498

**No- Mar Tip - Hard Tip**

Part No. 901048

**No- Mar Tip - Soft Tip**

Part No. 901067

**High Altitude Fuel Cell Valve - 4 pack**

For use in elevations above 4000 feet.

Part No. 219247

 **Paslode**<sup>®</sup>  
An Illinois Tool Works Company  
888 Forest Edge Drive  
Vernon Hills, Illinois 60061