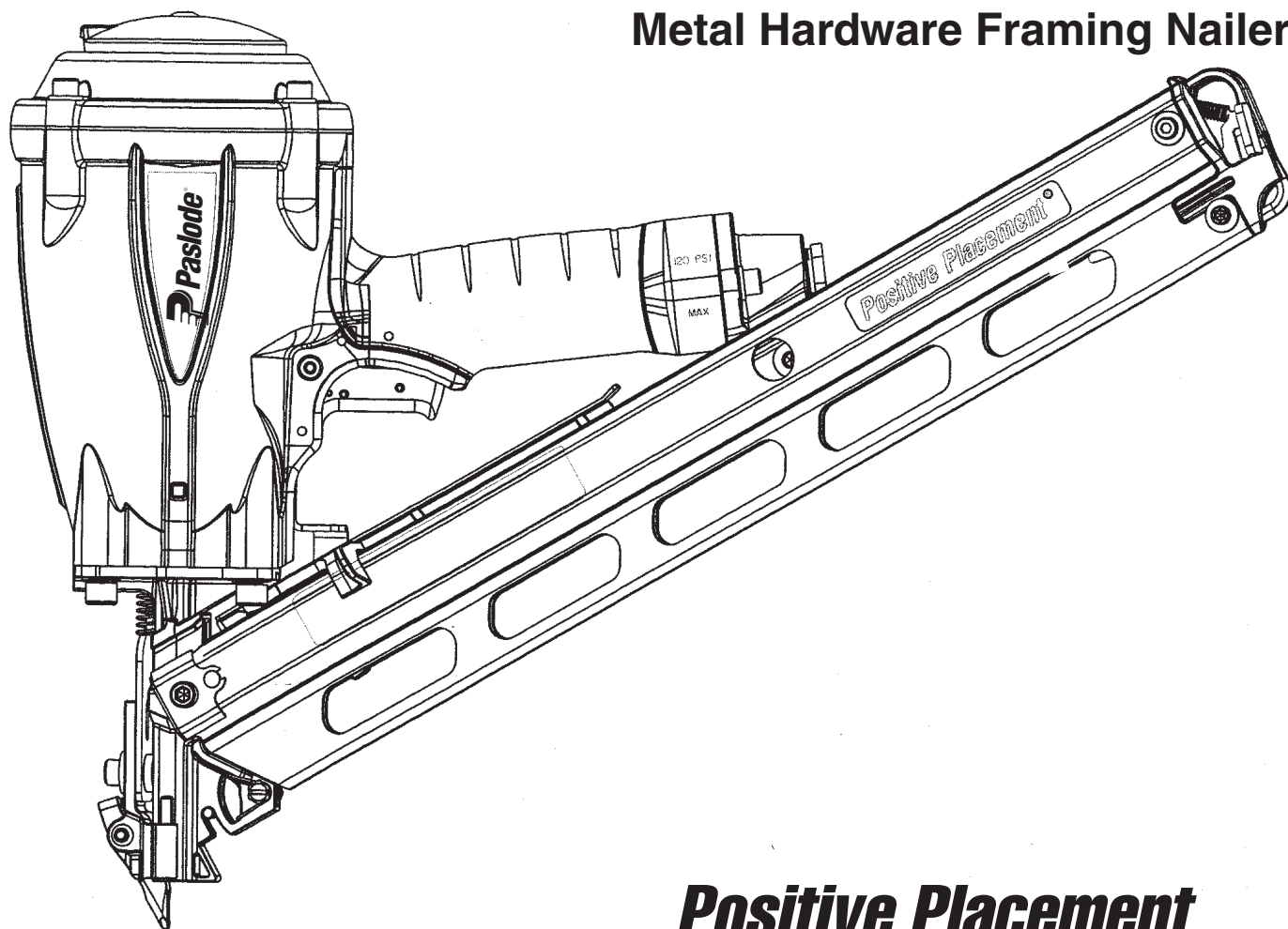




Positive Placement

MODEL F250S-PP

Metal Hardware Framing Nailer



Positive Placement

**IMPORTANT!
DO NOT DESTROY**

Always refer to safety and maintenance manual #403606 for detailed information on this tool. It is the customers responsibility to have all operators and service personnel read and understand this information.

**TOOL SCHEMATIC AND
PARTS**

PARTS LEGEND *Positive Placement* F250S-PP, 500855

▲ 1	501043	1	T.H.S.C.S. 1/4 -20 x 1/2"	45	501039	1	Sequential Trigger Assembly
2	501752	1	Air Deflector	46	500854	1	Nose
3	501300	4	S.H.C.S. 1/4-20 x 1-1/4"	47	095417	4	Lockwasher 5/16
5	501017	1	Cap	▲48	009016	4	S.H.C.S. 5/16-18 x 1"
*6	500461	1	O-Ring	49	501006	1	Spring, W.C.E.
*7	092042	2	O-Ring	50	500849	1	Upper W.C.E.
8	500407	1	Spring, Main Valve	51	404800	1	Washer, W.C.E.
*9	501001	1	Gasket, Cap	52	500850	1	Lower W.C.E.
10	406041	1	Retaining Ring	*53	501409	1	Probe Pin
11	500455	1	Upper Valve Piston	54	500717	1	Nail Cover
12	401946	1	Seal, Main Valve	55	500902	1	Follower
*13	091208	1	O-Ring	56	500783	1	3/16 Hex Key, Short Arm
*14	401950	1	O-Ring	57	500847	1	End Cap, Magazine-LF
15	500456	1	Lower Valve Piston	58	500846	1	End Cap, Magazine-RT
16	500454	1	Post	59	500848	1	Latch
*17	095432	1	O-Ring	60	501046	1	Drum Pin Assembly
18	500453	1	Bumper, Post	61	500513	1	Negator Assembly
19	402906	1	B.H.S.C.S.10-32 x 5/8"	62	501136	1	Nameplate
*20	092971	1	O-Ring, Piston	▲63	501567	2	Screw 1/4-28 x 3/4"
■ *21	501061	1	Driver Blade	64	500509	1	Front Bracket
22	402011	1	Seal Sleeve	65	501028	1	Spring, Latch
23	501283	1	Sleeve, Machined	66	501360	1	Shoulder Screw #8
*24	092235	1	O-Ring, Sleeve	67	066840	1	S.H.C.S. 8-32 x 3/4"
*25	501002	1	O-Ring	68	404414	4	Flatwasher #8
*26	500866	1	Bumper	69	404325	3	Stop Nut
27	501286	1	Housing	70	500520	2	Wear Strip
28	501747	1	Plate	71	500458	1	Warning Label
29	501333	1	Label, Housing-Left	72	501137	1	Logo Label
	501334	1	Label, Housing -Right	73	500899	1	Piston
30	501168	1	End Plug, Housing	74	091618	1	S.H.C.S. 1/4-20 x 1/2"
31	500516	1	B.H.S.C.S. - Special	75	501654	1	Magazine w/ Wear Strips
32	501591	1	Shear Block	76	500896	1	Round Nut
33	501299	2	S.H.C.S. 1/4-20x 1"	77	501388	1	Wire Form
34	091622	1	Reducing Pipe Bushing	78	501389	1	Quick Clear Lever
35	501410	1	O-Ring	79	004958	2	Roll Pin 1/8 x 7/8"
36	402669	1	Pin, Trigger	80	501411	1	Compression Spring
*38	501241	1	Probe	81	501412	1	Spring Guide
39	402668	1	Retaining Washer	83	501590	1	Lever
40	097748	1	Spring, Valve Pin	84	501500	1	Spring, Lever
41	097746	1	Valve Pin	85	501336	1	Shoulder Screw
42	071297	3	Roll Pin 1/8 x 1-1/8"	86	501480	1	Fastener Usage Label
*43	092174	1	O-Ring, Valve Body	87	500249	1	O-Ring
44	401958	1	Valve Body	88	500779	1	Flange
				89	404232	2	S.H.C.S. 8-32 x 13/16

* Denotes Normal Wear Items

** Make sure Warning Label (Part No. 500458) is properly affixed. Replace if necessary. Label available at no charge through the Service Department.

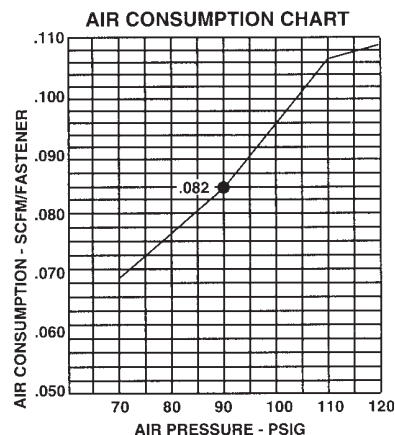
▲ Apply Loctite 242 (Blue) Part No. 093500

■ Apply Loctite Green Part No. 401491

→ Denotes New Change

▲ WARNING

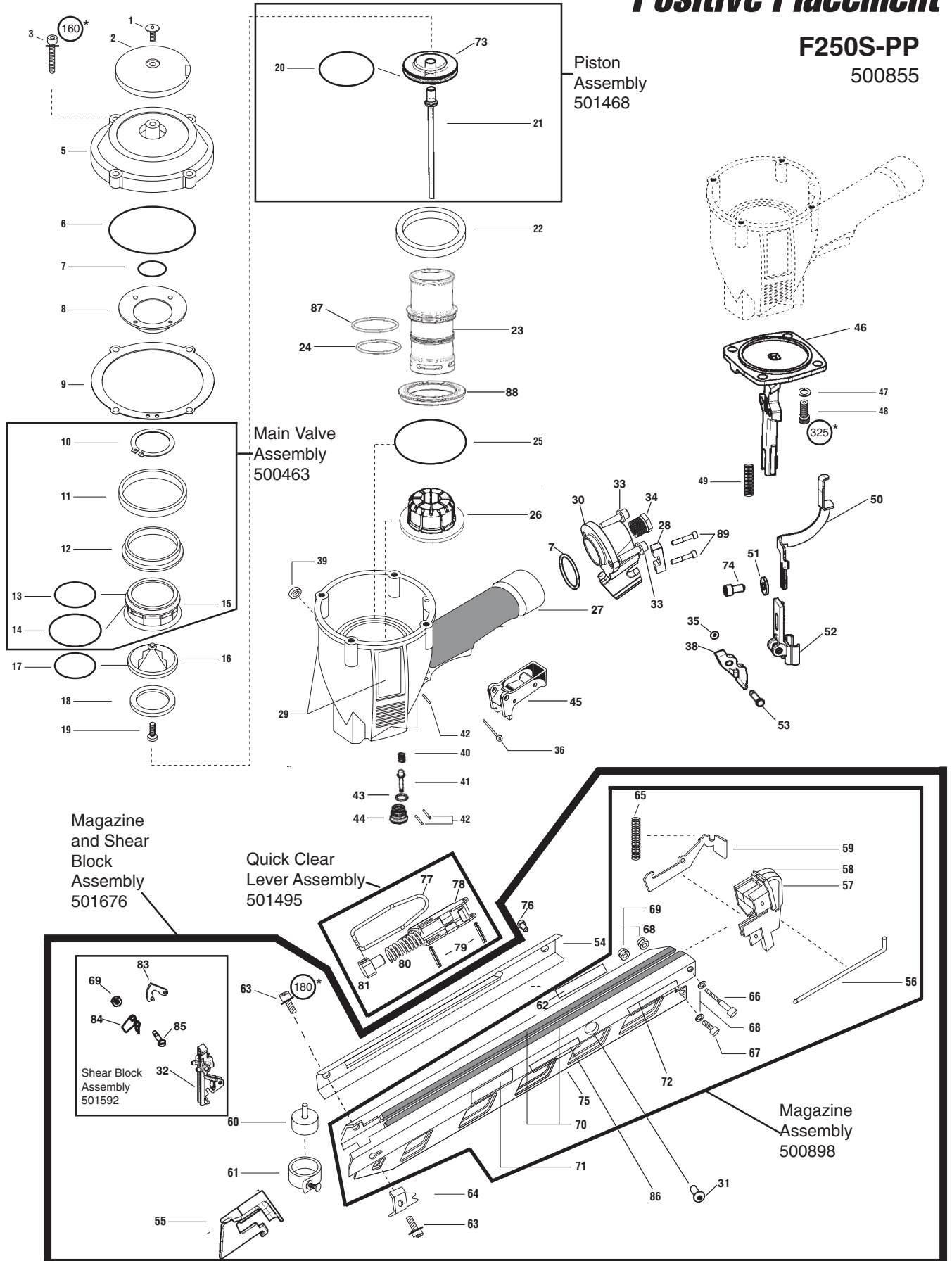
All parts must be periodically inspected and replaced if worn or broken. Failure to do this can affect the tool's operation and present a safety hazard.



Note: For optimum performance Paslode recommends the use of a 3/8" Male fitting.

Positive Placement

F250S-PP
500855



*Torque Values
IN/LBS

ACCESSORIES

Tool Repair Kit

Repairs cap air leaks, lack of power, skipping and/or sluggishness.

Part No. 219235

Trigger Valve Kit

Repairs trigger valve air leaks.

Part No. 219224

Lubricants and Loctite

Loctite 242 (Blue)
Lubricating Oil 16 oz.
Lubricating Oil with Antifreeze
Chemplex 710 Lubricant 1 lb.
Lubricant 5 gram tube



Part No. 093500
Part No. 403720
Part No. 219090
Part No. 403734
Part No. 219188

Degreaser Cleaner

Ideal cleaner for all Paslode tools.

Part No. 219086

Large Nylon Tool Case



Part No. 219246

Safety Glasses

Clear
Tinted

Part No. 402510
Part No. 402512

Belt Hook Holder

Attaches to work belt and carries tool using the above belt hook.



Part No. 219028

SAFETY INSTRUCTIONS

WEAR EYE AND HEARING PROTECTION

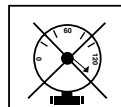


Always wear hearing protection and eye protection devices, including side shields when operating or working in the vicinity of a tool.

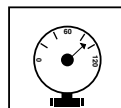


Never use any bottled air or gases such as oxygen to operate the tool since they could cause the tool to explode.

DO NOT EXCEED MAXIMUM RECOMMENDED AIR PRESSURE



Operate the tool using only the recommended air pressure. Do not exceed the maximum air pressure marked on the tool. Be sure the air pressure gauge is operating properly and check it at least twice a day.



Paslode
An Illinois Tool Works Company
888 Forest Edge Drive
Vernon Hills 60061-3105