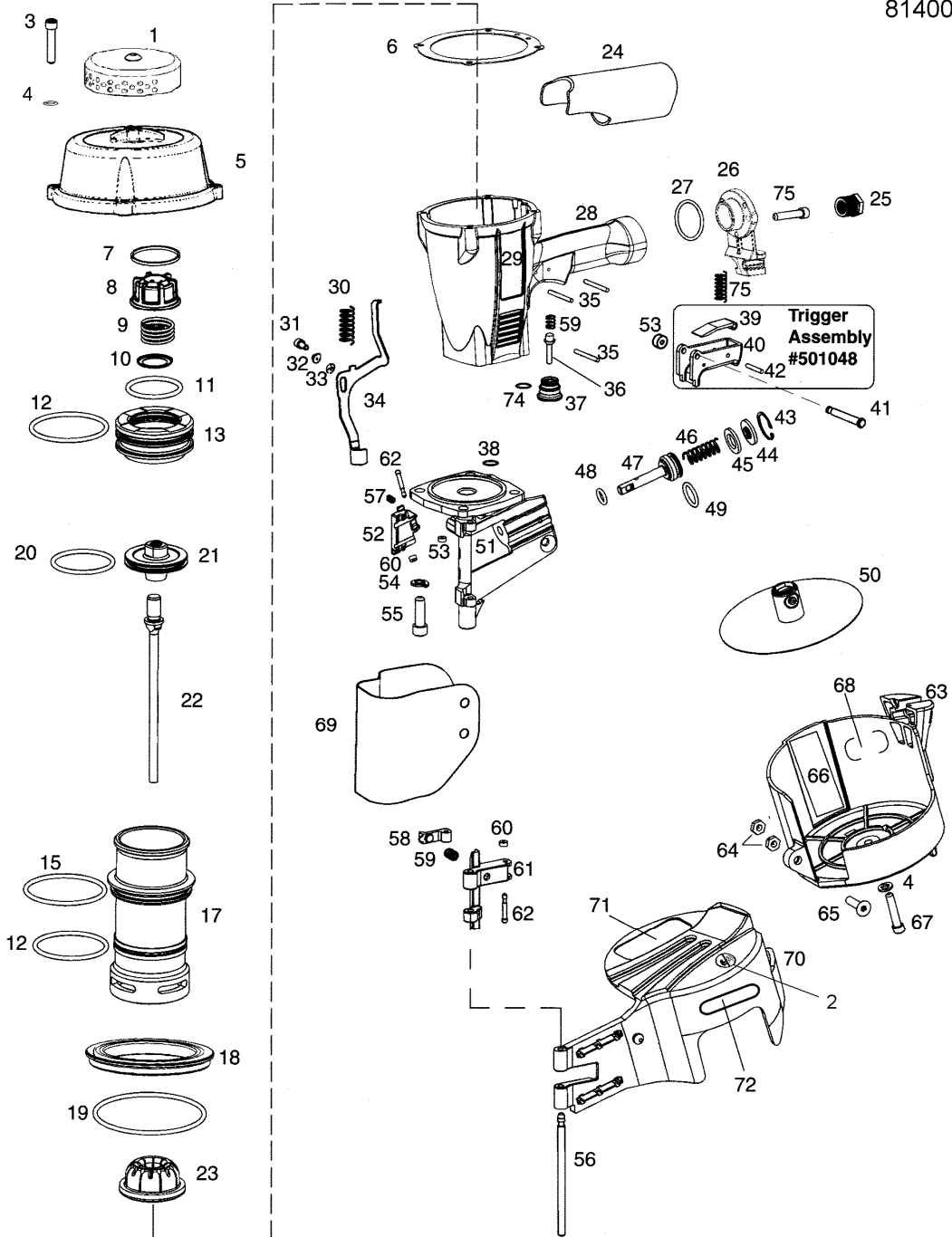


CNW90

814006

**WARNING**

All parts must be periodically inspected and replaced if worn or broken. Failure to do this can affect the tool's operation and present a safety hazard.

CNW90

814 006

PARTS LEGEND

1	814001	1	Set Silencer	39	501008	1	Lever, Bottom Trip
2	115262	1	Ladder symbol	40	501010	1	Trigger
→ 3	501300	4	S.H.C.S. 1/4-20 x 1-1/4"	41	402669	1	Pin, Trigger
→ 4	092757	2	Flatwasher 1/4"	42	501009	1	Spirol Pin
5	814012	1	Cap	43	263239	1	Retaining Ring
6	501001	1	Gasket, Cap	44	402018	1	End Cap, Feeder Body
7	500754	1	Spacer, Exhaust	45	402084	1	Bumper, Feed Piston
8	500744	1	Stop, Piston	46	402024	1	Spring, Feed Claw Piston
9	500743	1	Spring, Valve	47	500674	1	Feed Claw Piston
10	500742	1	Seat, Spring	*48	402031	1	O-Ring
*11	091986	1	O-Ring	*49	091541	1	O-Ring
*12	092235	2	O-Ring	50	500803	1	Tray Assembly
13	500947	1	Valve Assembly	51	500756	1	Nose
*15	500249	1	O-Ring	52	500715	1	Feed Claw
*16	091864	1	O-Ring	53	402668	2	Retaining Washer
17	500681	1	Sleeve	54	095417	4	Lockwasher
18	500779	1	Flange, Sleeve	▲55	009016	4	S.H.C.S. 5/16-18 x 1"
*19	501002	1	O-Ring	56	500677	1	Hinge Pin
*20	092971	1	O-Ring	57	500700	1	Spring, Feed Claw
21	500745	1	Piston	58	402037	1	Holdback
■ *22	402021	1	Driver Blade	59	097748	2	Spring
*23	500866	1	Bumper	60	402486	2	Retaining Washer
24	501023	1	Grip	61	500675	1	Locator
25	091622	1	Reducing Pipe Bushing	62	402487	2	Pivot Pin
26	500746	1	End Cap	63	500817	1	Magazine
*27	092042	1	O-Ring	64	091733	2	Flexloc Thin Nut
28	500739	1	Housing	65	005562	1	F.H.S.C.S. 1/4-20 x 5/8"
29	501018	2	Label, Housing	66	501080	1	Magazine Adjust. Label
30	404663	1	Spring, W.C.E.	67	009041	3	S.H.C.S. 1/4 x 3/4"
31	004224	1	S.H.C.S. 10 -32 x 3/8"	68	814011	1	Typelabel
32	402666	1	Bushing	→ 69	402662	1	Debris Shield
33	008388	1	Flat Washer #10	70	500678	1	Cover, Magazine
34	500758	1	W.C.E.	**71	500492	1	Warning Label
35	071297	3	Roll Pin	72	501216	1	Logo, Magazine
36	097746	1	Valve Pin	73	092174	1	O-Ring
37	401958	1	Valve Body	74	500199	1	Spring
*38	094295	1	O-Ring	→ 75	501299	2	S.H.C.S. 1/4-20 x 1"

- * Denotes normal wear items
 ** NOTE: Make sure Warning Label (500492) is properly affixed. Replace if necessary. Label available at no charge through Service Department.
 ▲ Apply Loctite 242 (Blue) Part No. 093500
 ■ Apply Loctite 680 (Green) Part No. 219241

AIR CONSUMPTION CHART