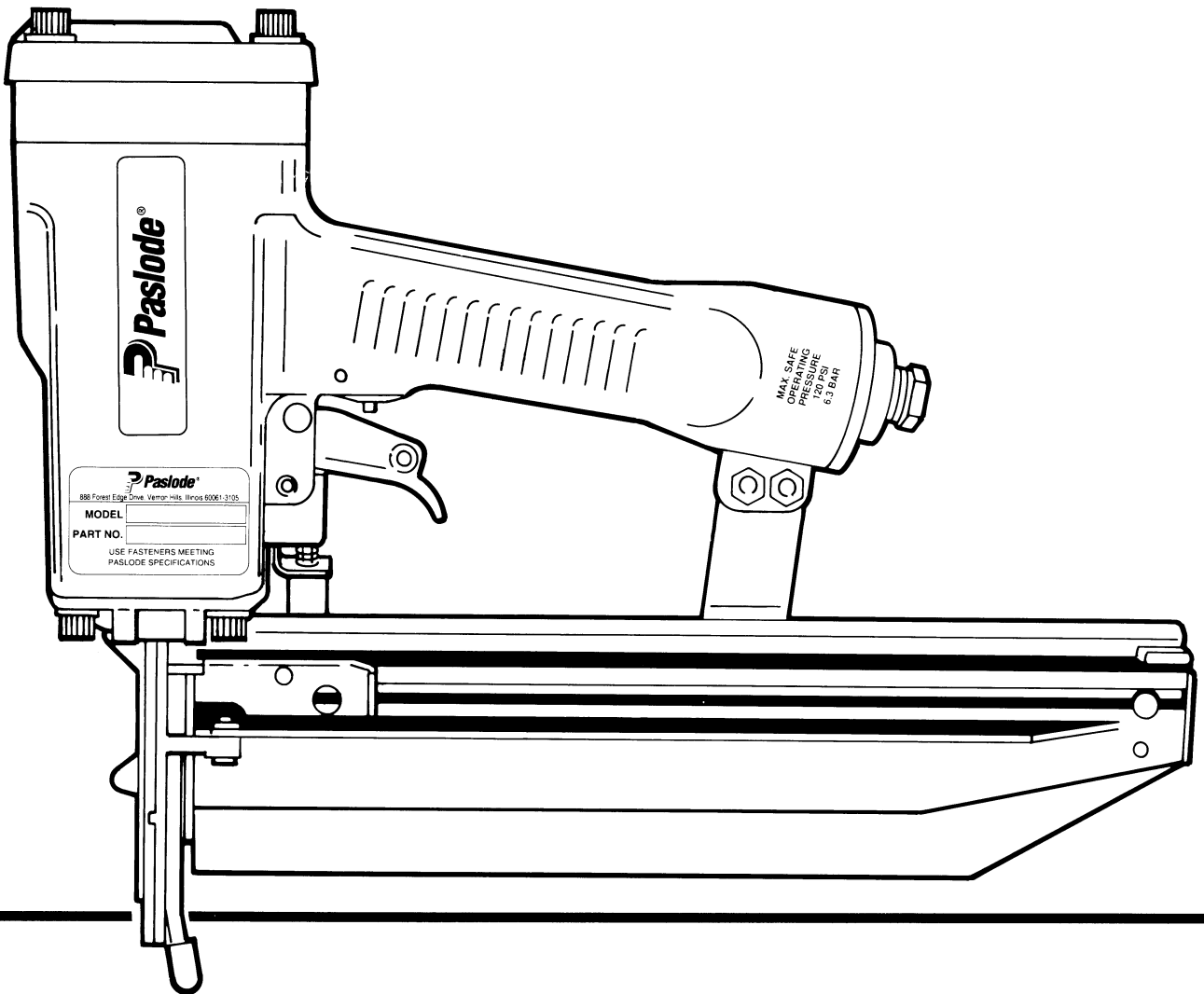




MODEL 3250 /65-F14
MODEL 3250/65 F14Q
FINISH NAILERS



TOOL SCHEMATIC AND PARTS

IMPORTANT! **DO NOT DESTROY**

Always refer to safety and maintenance manual #403606 for detailed information on this tool. It is the customer's responsibility to have all operators and service personnel read and understand this information.

PARTS LEGEND

3250/65 F14, 404370

1	404229	4	Socket Head Capscrew, 1/4-20 x 2-1/4"
→ 2	002187	4	Lock Washer, 1/4"
3	404242	1	Cap, Diffuser
▲ 4	006310	1	Socket Head Capscrew, #6-32 x 1/2"
6	402705	1	Cap
7	402717	1	Conical Spring
*8	404230	1	Retaining Ring
*9	091537	1	"O" Ring, Main Valve Assembly
10	404122	1	Upper Valve Piston
11	404055	1	Post, Main Valve
*12	404256	1	"O" Ring, Main Valve Post
*13	402723	1	"O" Ring, Piston
14	403563	1	Piston
15	403582	1	Jam Nut
*16	404369	1	Driver Blade
17	402725	1	Seal, Sleeve
18	405246	1	Sleeve
*19	402728	1	"O" Ring, Sleeve
*20	402729	1	"O" Ring, Sleeve
21	403854	1	Retaining Bumper
*22	403853	1	Bumper
23	404371	1	Lower Seal
*24	402707	1	Gasket, Cap
25	402701	1	Housing
→ 26	404939	2	Logo, Housing
→ 27	500691	1	Nameplate
28	402708	1	Gasket, Flange
29	402706	1	Flange
▲ 30	091545	4	Socket Head Capscrew, 1/4-20 x 7/8"
31	405144	1	Trigger
32	402079	1	Pin, Trigger
33	404325	1	Stop Nut
34	026133	2	Roll Pin, 1/8" Dia. x 1" Lg.
35	402730	1	Pivot Pin, Front Guide
36	404698	2	Roll Pin Assembly
37	403969	1	Front Guide
38	403968	1	Back Plate
39	401958	1	Valve Body
*40	092174	1	"O" Ring, Valve Body
41	097746	1	Valve Pin
42	097748	1	Spring, Valve Pin
*43	091591	1	"O" Ring, End Plug
▲ 44	401940	1	End Plug
45	091622	1	Reducing Pipe Bushing
46	004502	2	Socket Head Capscrew, #10-32 x 5/8"
47	403746	1	Rail Bracket Assembly
48	402731	1	Logo-Rail
49	092037	2	Lock Nut, #10 - 32
50	404054	1	Seal Main Valve
51	404289	1	Bracket, Work Contacting Element
*52	402738	1	Spring, Work Contacting Element
53	403719	1	Interm. Work Contacting Element Assembly
→ 54	004224	4	Socket Head Capscrew, #10 - 32 x 3/8"
→ 55	403716	2	Socket Head Capscrew #10 - 32 x 5/16"
56	402629	2	Hardened Washer
57	405076	1	Spring, Front Guide Latch
58	403712	1	Front Guide Latch Assembly
59	403724	1	Rail Cover Assembly
60	403708	1	Negator Assembly
61	403710	1	Roller, Negator
62	403702	2	Wear Strip
63	404375	1	Rail Assembly (includes spacer and rivet)
64	404627	1	Work Contacting Element
65	404671	1	Tip
66	404374	1	Follower Assembly
67	403711	1	Latch Pin, Follower
68	091536	1	Spring, Follower Latch Pin
69	403713	1	Retaining Ring
70	404243	4	Spacer
71	091447	4	Flat Washer
72	404274	1	Washer
73	403812	2	Flat Washer
74	009397	2	Capscrew #10-24 x 1/2"
**75	500458	1	Warning Label
*77	090927	1	"O" Ring, Main Valve Assembly
*78	092775	1	"O" Ring, Main Valve Assembly
*79	092773	1	"O" Ring, Main Valve Assembly
80	404056	1	Lower Valve Piston
81	405147	1	Lever, Trigger
82	005849	1	Roll Pin
83	401988	1	Spring, Rail Cover
84	094295	1	"O" Ring, Follower
85	404376	1	Spacer
86	404372	1	Rivet
→ 87			
88	405243	1	Flange, Sleeve
89	091966	1	"O" Ring
90	500488	1	Grip, Handle

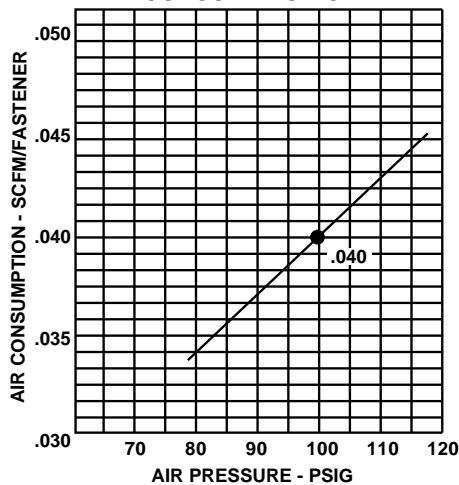
* Denotes normal wear items

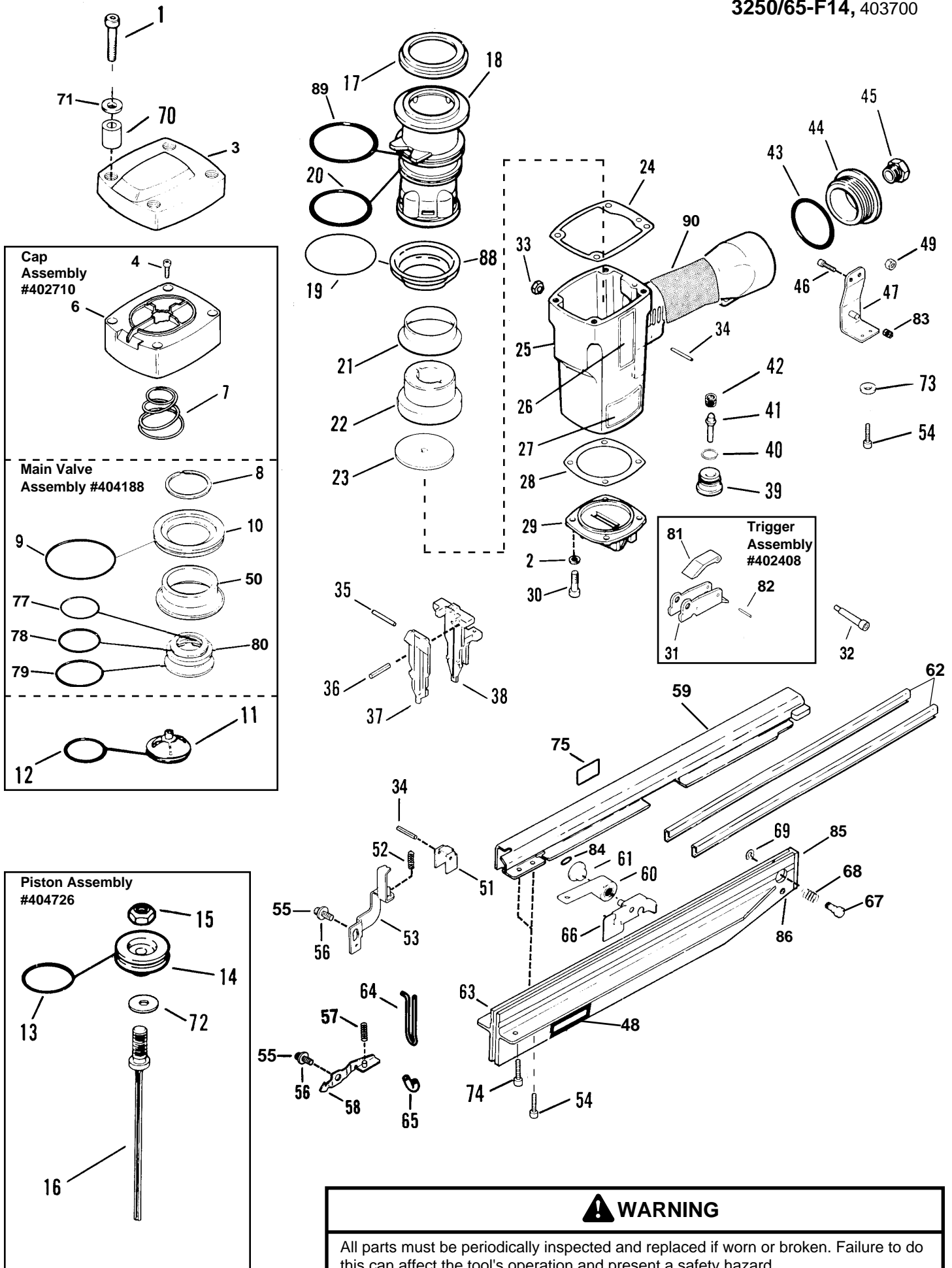
** Make sure Warning Label (500458) is properly affixed.
Replace if necessary. Label available at no charge through Service Department.

▲ Apply Loctite 242 (Blue)

→ Denotes New Change

AIR CONSUMPTION CHART





⚠ WARNING

All parts must be periodically inspected and replaced if worn or broken. Failure to do this can affect the tool's operation and present a safety hazard.

ACCESSORIES

Lubricants and Loctite

Chemplex 710 Lubricant 1 lb.
Lubricating Oil 8 oz.
Lubricating Oil with Antifreeze
Loctite 242 (Blue) 1 oz.

Part No. 403734
Part No. 219026
Part No. 219090
Part No. 093500

Back Plate Insert

This insert accommodates 1 1/4" and shorter finish nails.
Also prevents nails from tumbling and jamming.

Part No. 1X1210

Repair Kit

This kit repairs all air leaks except for the trigger valve.

Part No. 219222

Trigger Valve Repair Kit

This kit repairs all trigger valve air leaks.

Part No. 219224

Universal Belt Hook

Attaches to cap of tool enabling you to carry tool on belt holder (offered below).

Part No. 219017

Belt Hook Holder

Attaches to work belt and carries tool using the above belt hook.

Part No. 219028

Safety Glasses

Clear
Tinted

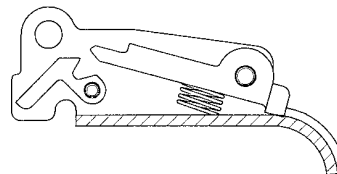
Part No. 402510
Part No. 402512

Degreaser Cleaner Ideal cleaner for all Paslode tools.

Part No. 219086

Sequential Operating Kit

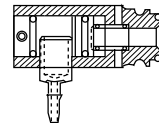
This special attachment is designed for sequential operation. The operator must depress and hold the work contacting element against the worksurface before pulling the trigger. This sequence must be repeated each time the tool drives a fastener.



Part No. 406006

Remote Fire Valve

This valve via a positive air signal allows a machine mounted tool to be operated from an automatic air valve or foot pedal system.



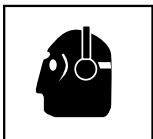
Part No. 1X0713

SAFETY INSTRUCTIONS

WEAR EYE AND HEARING PROTECTION

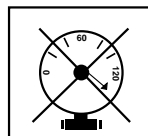


Always wear hearing protection and eye protection devices, including side shields when operating or working in the vicinity of a tool.

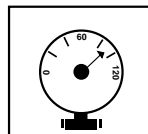


Never use any bottled air or gases such as oxygen to operate the tool since they could cause the tool to explode.

DO NOT EXCEED MAXIMUM RECOMMENDED AIR PRESSURE



Operate the tool using only the recommended air pressure. Do not exceed the maximum air pressure marked on the tool. Be sure the air pressure gauge is operating properly and check it at least twice a day.



An Illinois Tool Works Company
888 Forest Edge Dr.
Vernon Hills, Illinois 60061