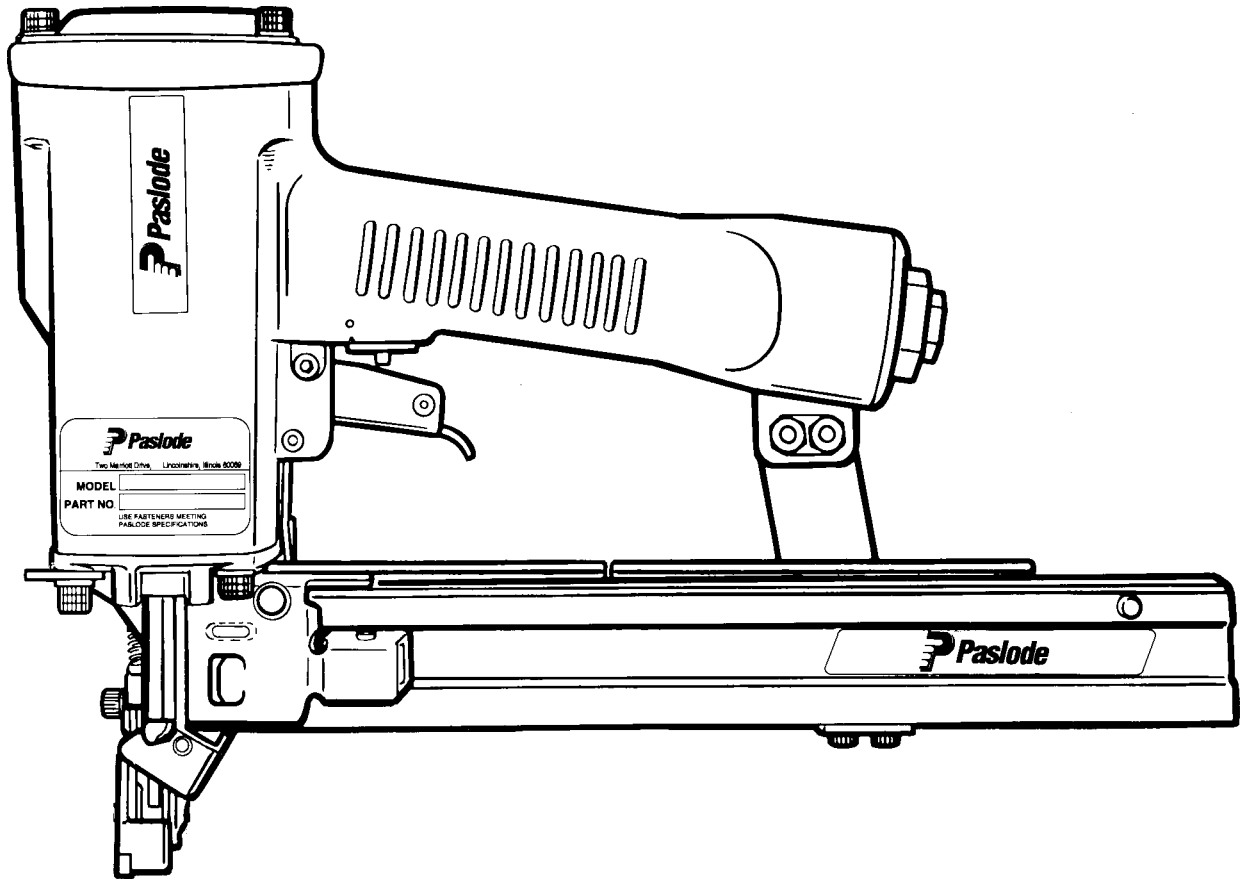




MODEL 3150/38 W16L  
LATH STAPLER



TOOL SCHEMATIC AND PARTS

**IMPORTANT!**  
**DO NOT DESTROY**

Always refer to safety and maintenance manual #403606 for detailed information on this tool. It is the customer's responsibility to have all operators and service personnel read and understand this information.

# PARTS LEGEND

3150/38 W16L, 501310

1	501300	4	Socket Head Capscrew, 1/4-20 x 1-1/4"	48	004224	2	Socket Head Capscrew, #10 - 32 x 3/8"
2	002187	4	Lock Washer, 1/4"	50	402629	2	Hardened Washer
3	402726	1	Air Deflector	51	402737	1	Intermediate Work Contacting Element
4	006310	1	Socket Head Capscrew, #6-32 x 1/2"	*52	402738	1	Spring
6	402704	1	Cap	*53	092773	1	"O" Ring
7	402717	1	Conical Spring	54	404699	1	Lower Work Contacting Element
8	404230	1	Retaining Ring	55	404056	1	Lower Valve Piston
*9	091537	1	"O" Ring, Main Valve Assembly	*56	402734	1	Spring
10	404122	1	Upper Valve Piston	57	501210	1	Front Guide
11	404055	1	Post Main Valve	59	404698	2	Roll Pin Assembly
*12	404256	1	"O" Ring, Main Valve Post	60	501204	1	Back Plate
*13	402723	1	"O" Ring, Piston	61	402730	1	Pivot Pin, Front Guide
14	403563	1	Piston	62	501209	1	Latch Pin
15	403582	1	Jam Nut	63	405078	1	Spring, Front Guide Latch
*16	404182	1	Driver Blade	64	501207	1	Latch, Front Guide
17	402725	1	Seal, Sleeve	65	402486	1	Retaining Washer
18	501274	1	Sleeve	**66	500457	1	Warning Sign
*19	402728	1	"O" Ring, Sleeve	67	402748	1	Pivoting Rail Cover Assembly
*20	402729	1	"O" Ring, Sleeve	68	404848	1	Rail and Rail Cover Assembly
*22	501280	1	Bumper	69	402731	1	Logo, Rail
23	402754	1	Seal, Driver Blade	70	402740	1	Roll Pin, 3/32" Dia. x 7/16" Lg.
*24	402707	1	Gasket, Cap	71	402758	1	Latch, Follower
25	402701	1	Housing	72	402759	1	Spring, Follower Latch
26	404939	2	Logo, Housing	73	091568	1	Binding Head Screw, #6-32 x 1/4"
27	501309	1	Nameplate	*74	091532	1	Negator
*28	402708	1	Gasket, Flange	75	091534	1	Drum, Negator
29	402706	1	Flange	76	402743	1	Pin, Negator Drum
30	091545	4	Socket Head Capscrew, 1/4-20 x 7/8"	77	402760	1	Follower
31	405144	1	Trigger	78	402782	2	Wear Shield, Cap
32	402079	1	Pin, Trigger	82	404325	1	Stop Nut
33	402668	2	Retaining Washer	86	092037	1	Flexloc Nut #10-32
34	404054	1	Seal Main Valve	87	402736	1	Flat Washer
*35	090927	1	"O" Ring	88	402765	1	Lower W. C. E. with Carbide
*36	092775	1	"O" Ring		402608	1	Lower W.C.E. without Carbide
37	026133	2	Roll Pin, 1/8" Dia. x 1" Lg.	89	402763	1	Upper Work, Contacting Element
38	401958	1	Valve Body	90	405147	1	Lever, Trigger
*39	092174	1	"O" Ring, Valve Body	91	005849	1	Roll Pin
40	097746	1	Valve Pin	93	091966	1	"O" Ring
41	097748	1	Spring, Valve Pin	94	405243	1	Flange, Sleeve
42	091591	1	"O" Ring, End Plug	95	500488	1	Grip, Handle
43	401940	1	End Plug	96	403716	2	Socket Head Capscrew 10-32 x 5/16"
44	091622	1	Reducing Pipe Bushing				
▲45	004502	4	Socket Head Capscrew, #10-32 x 5/8"				
46	092037	4	Flexloc Nut, #10-32				
47	402741	1	Rail Bracket				

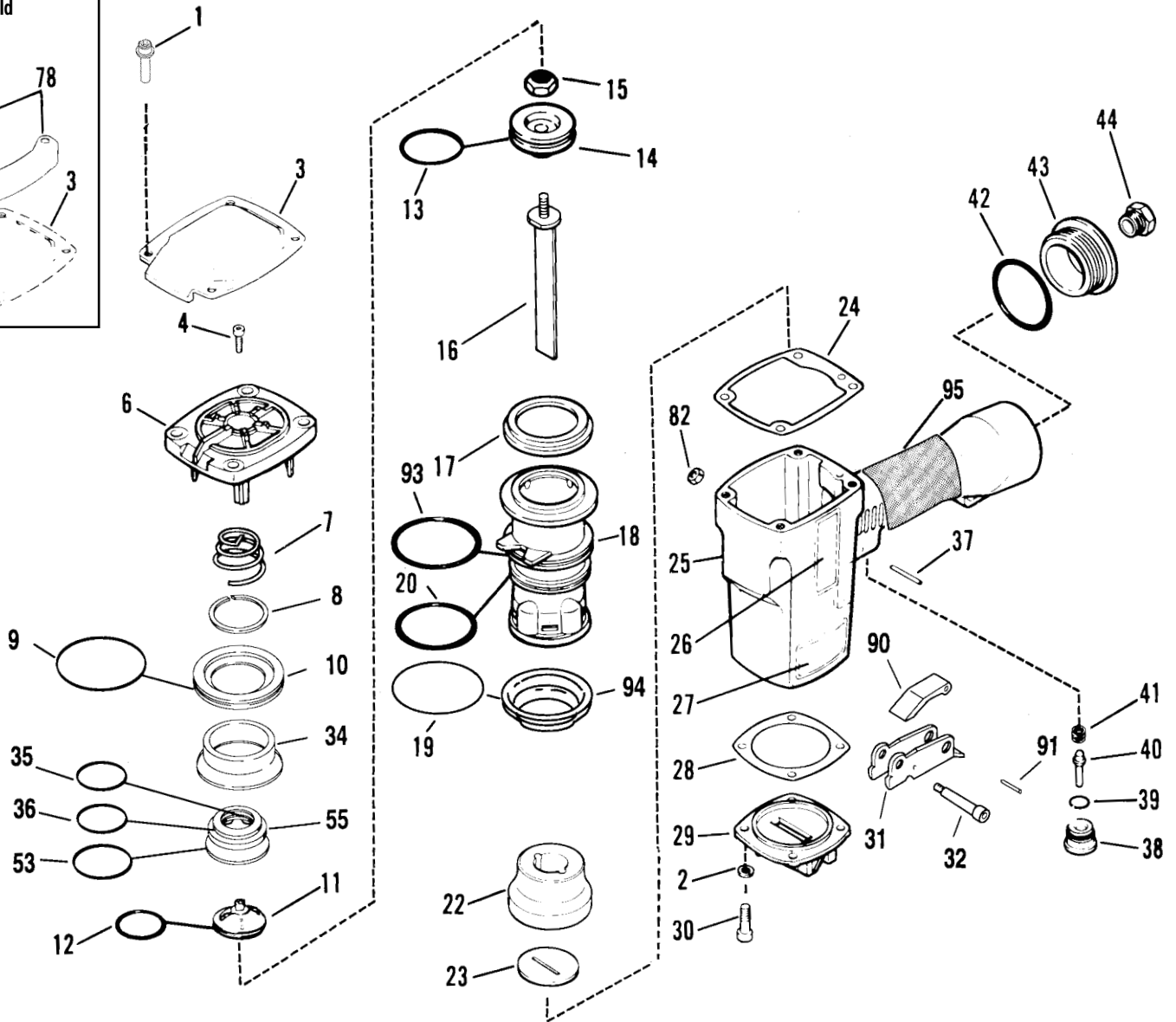
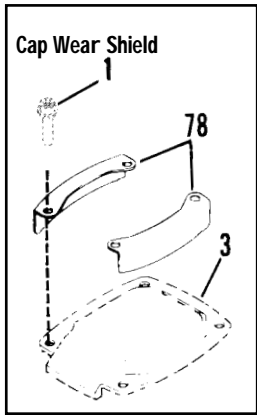
\* Denotes normal wear items.

\*\* Make sure warning label (500457) is properly affixed.  
Replace if necessary. Label available at no charge through  
the Service Dept.

▲ Apply Loctite 242 (Blue) Part No. 093500

➔ Denotes new change.

Optional:

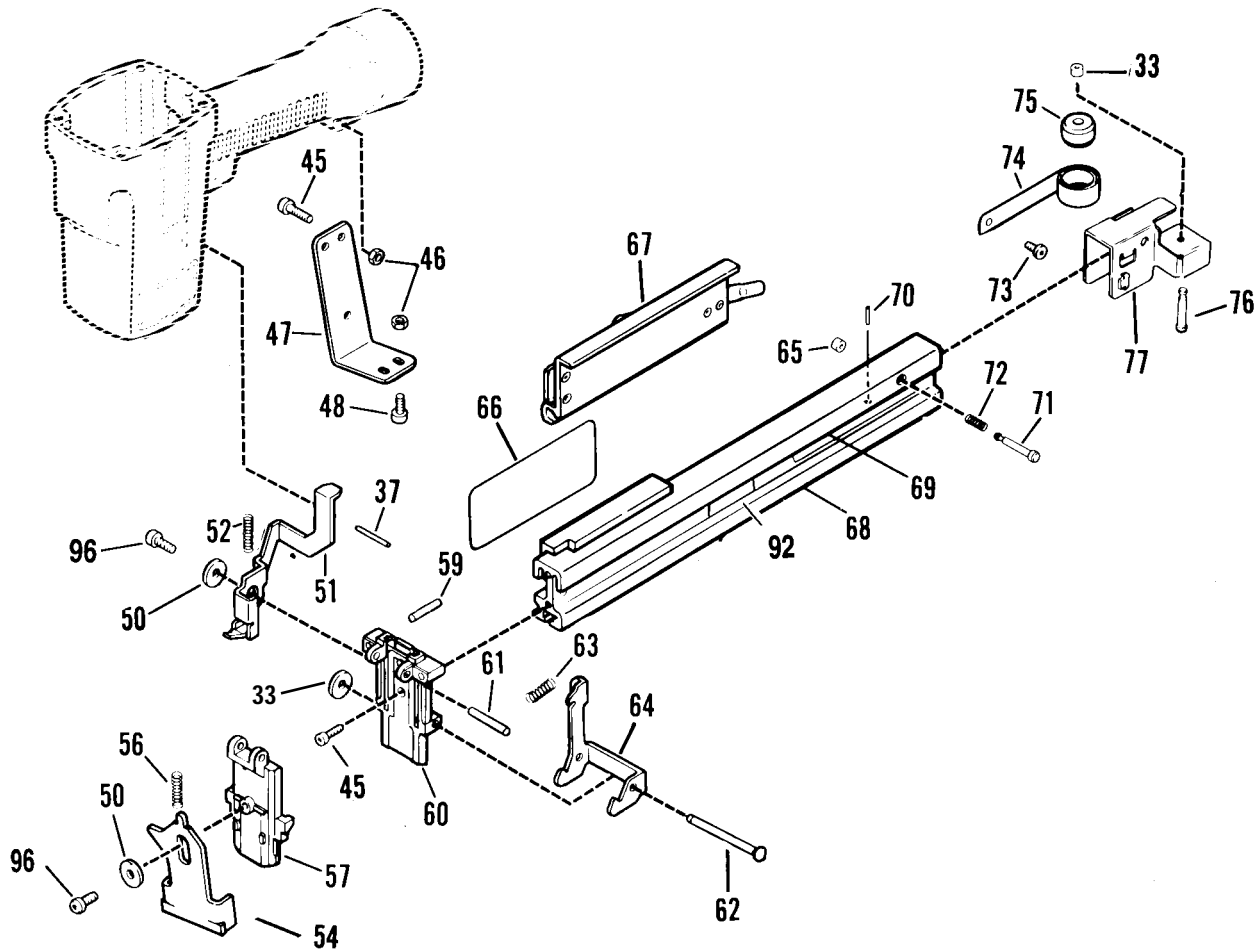


**WARNING**

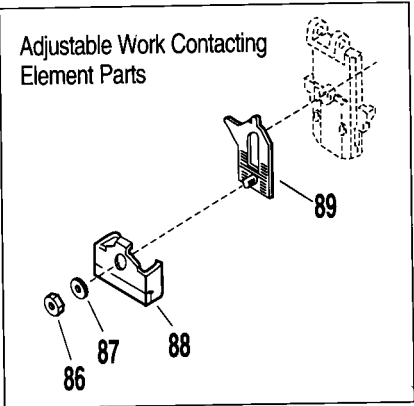
All parts must be periodically inspected and replaced if worn or broken. Failure to do this can affect the tool's operation and present a safety hazard.

# 3150/38 W16L

501320



OPTIONAL:



## PARTS OFFERED AS ASSEMBLIES

### 404345 Piston Assembly

Includes

*13	402723	1	"O" Ring, Piston
14	403563	1	Piston
15	403582	1	Jam Nut
16	404182	1	Driver Blade

### 402408 Trigger Assembly

Includes

31	405144	1	Trigger
90	405147	1	Lever, Trigger
91	005849	1	Roll Pin

### 404188 Main Valve Assembly

Includes

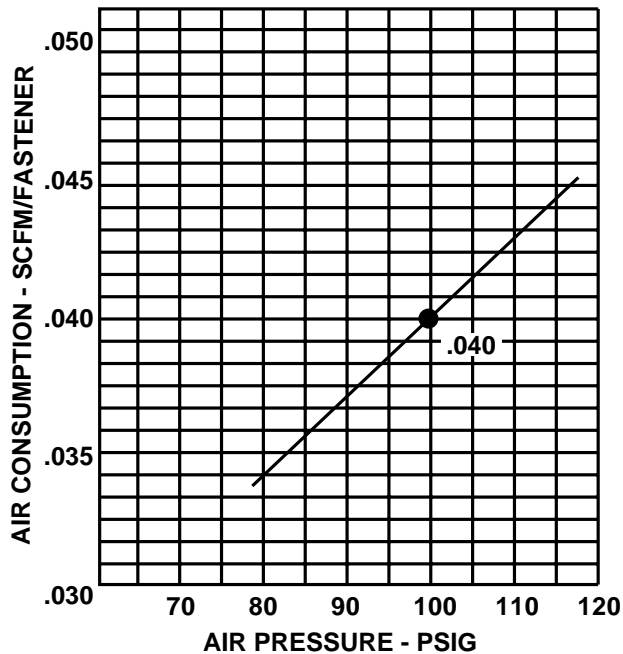
8	404230	1	Retaining Ring
*9	091537	1	"O" Ring, Main Valve Assembly
10	404122	1	Upper Valve Piston
34	404054	1	Seal, Main Valve
*35	090927	1	"O" Ring, Main Valve Assembly
*36	092775	1	"O" Ring, Main Valve Assembly
*53	092773	1	"O" Ring, Main Valve Assembly
55	404056	1	Lower Valve Piston

### 402709 Cap Assembly

Includes

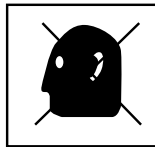
4	006310	1	Socket Head Capscrew, #6-32 x 1/2"
6	402704	1	Cap
7	402717	1	Conical Spring
11	404055	1	Post, Main Valve
12	404256	1	"O" Ring, Main Valve Post
	404188	1	Main Valve Assembly

### AIR CONSUMPTION CHART



## SAFETY INSTRUCTIONS

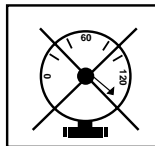
### WEAR EYE AND HEARING PROTECTION



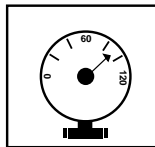
Always wear hearing protection and eye protection devices, including side shields when operating or working in the vicinity of a tool.



### DO NOT EXCEED MAXIMUM RECOMMENDED AIR PRESSURE



Operate the tool using only the recommended air pressure. Do not exceed the maximum air pressure marked on the tool. Be sure the air pressure gauge is operating properly and check it at least twice a day.

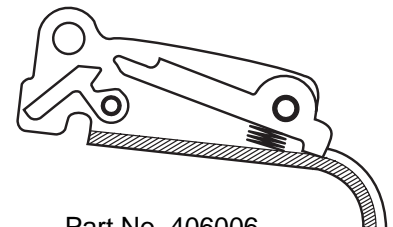


Never use any bottled air or gases such as oxygen to operate the tool since they could cause the tool to explode.

## ACCESSORIES

### Sequential Operating Kit

This special attachment is designed for sequential operation. The operator must depress and hold the work contacting element against the work surface before pulling the trigger. This sequence must be repeated each time the tool drives a fastener.

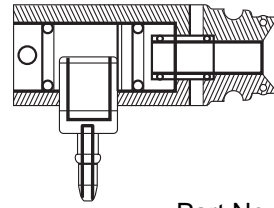


Part No. 406006

# ACCESSORIES *Continued*

## Remote Fire Valve

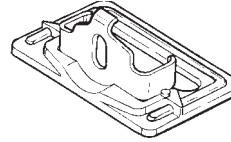
This valve via a positive air signal allows a machine mounted tool to be operated from an automatic air valve or foot pedal system.



Part No. 1X0713

## Adjustable Foam Contacting Element

This is a wide-foot, cast and brazed assembly that replaces the standard 3000-W16 series work contacting element. This assembly is intended for foam sheathing applications and on machine-mounted tools.

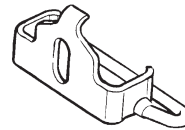


Note: Must be used in combination with #402763 - upper WCE.

Part No. 402997

## Rear Activating Foam Contacting Element

This is a rear-activating, welded-wire work contacting element. It replaces the standard 3000-W16 series work contacting element where rear activation is needed.



Note: Must be used in combination with #402763 - upper WCE.

Part No. 1X1026

## Lubricants and Loctite

Loctite 242 (Blue) 1 oz Part No. 093500  
 Lubricating Oil 16 oz. Part No. 403720  
 Lubricating Oil with Antifreeze Part No. 219090  
 Chemplex 710 Lubricant 1 lb. Part No. 403734

## Wide Crown Stapler Repair Kit

This kit repairs all air leaks except for the trigger valve.

Part No. 219222

## Degreaser Cleaner

Ideal Cleaner for all Paslode Tools



Part No. 219086

## Trigger Valve Repair Kit

This kit repairs all trigger valve air leaks.

Part No. 219224

## Belt Hook

Attaches to cap of tool enabling you to carry tool on belt holder.



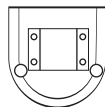
Part No. 219017

## Safety Glasses

Clear Part No. 402510  
 Tinted Part No. 402512

## Belt Hook Holder

Attaches to work belt and carries tool using the above belt hook.



Part No. 219028

## Large Nylon Tool Bag

Soft-sided heavy duty nylon tool bag ideal to protect your tool.



Part No. 219246