

Fire resistant insulation anchor for hollow base materials

Technical data

| TYPE | Ø thread (mm) | Min base thickness (mm) | Max insulation thickness (mm) | Drilling Diameter (mm) | Total anchor length (mm) | Eurocode |
|--------|---------------|-------------------------|-------------------------------|------------------------|--------------------------|----------|
| | d | h_{min} | t_{fix} | d₀ | L | |
| 12/60 | 6 | 10 - 24 | 60 | 12 | 113 | 059800 |
| 12/80 | 6 | 10 - 24 | 80 | 12 | 133 | 059810 |
| 12/110 | 6 | 10 - 24 | 100 | 12 | 153 | 059820 |

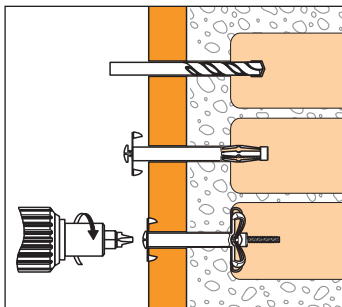
Applications

- Fire resistant anchor for fixing all types of insulation to hollow substrates

Material

- Slotted / PZ2 screw

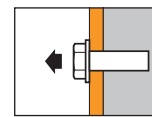
Installation



- Drill a 12 mm hole through the insulating material
- Insert the anchor with a hammer
- Use a drill / driver to expand the anchor

Recommended and ultimate loads (kN)

TENSILE



| TYPE | Hollow concrete beam | | Hollow concrete block | | Hollow clay brick | |
|--------|----------------------|------------------|-----------------------|--------------------|--------------------|--------------------|
| | N _{rec} | N _{u,m} | N _{rec} * | N _{u,m} * | N _{rec} * | N _{u,m} * |
| 12/60 | | | | | | |
| 12/80 | 0,15 | 0,75 | 0,30 | 1,50 | 0,20 | 1,00 |
| 12/110 | | | | | | |

(*) Indicatives value

Fire behaviour



Fire tests on insulation fixed to soffits built in hollow concrete block or in hollow concrete beam have been done in the CTICM laboratory. The test results (report n° 96-4-374) obtained guarantee the performance of the anchor ISOMET CC for an exposure time higher than 2 hours.